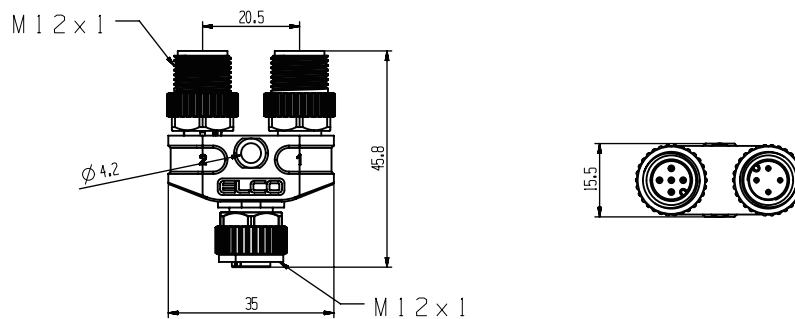


Technical data:

| | |
|-------------------------------|--|
| Type | ECS-FC12.5/VT01 |
| Operating voltage | max. 60 VAC/DC |
| Operating current per contact | max.4A |
| Coding | A-coded |
| Locking of ports | Screw thread (M12×1 mm) recommended torque 0.6 Nm, self-securing |
| Material | TPU |
| Locking material | Zinc die casting, matte nickel plated |
| Ambient Temperature | -25...90 °C |
| Protection | IP67 |

Size



Circuit design

