

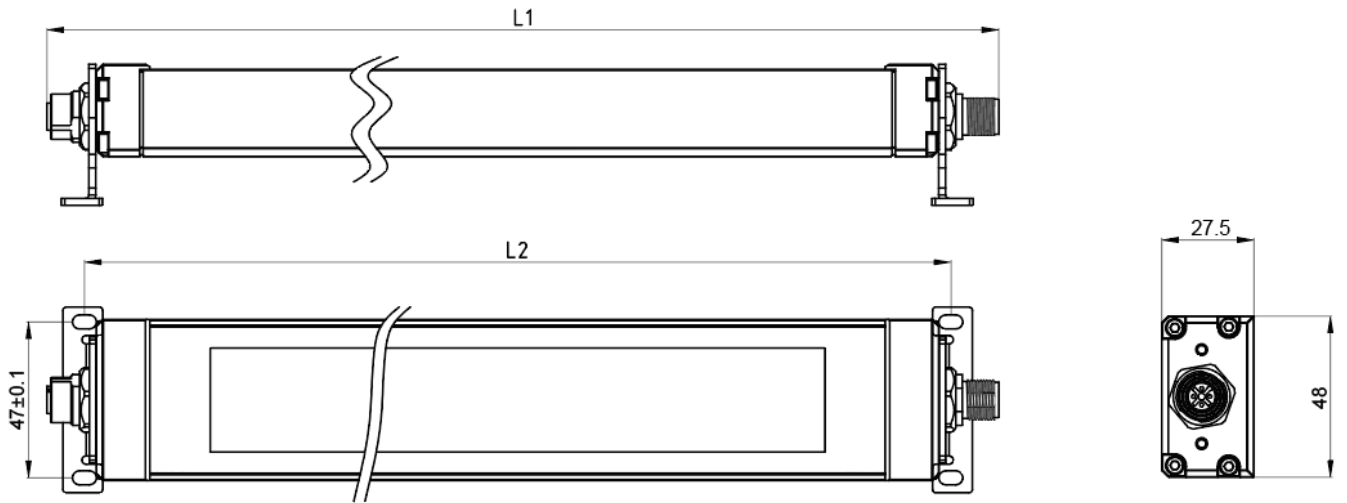
Specifications

Basic Information				
Series	Strip LED Light BLT48			
Model	BLT48W200-M、BLT48W400-M、BLT48W600-M、BLT48W800-M、			
Technical Data				
Physical Data	Material	Aluminium + Glass	Color	Silvery
	IP Degree	IP67		
	Mounting/Adjusting Angle		Vertical adjusting T Angle: $\pm 45^{\circ}$	
Optical Data	CCT	5700K	Ra	>80
	L70	50000H	Luminous Efficiency	>80 lm/w
	Beam Angle	81°		
Electrical Data	Power supply	DC/AC 24V	Connection	M12 plug connector, A coded
	Electrical protection grade	III	Reverse polarity protected	Yes
Other Data	Operating Conditions	-35~60°C	Storage Condition	-40~70°C

Pictures of Lamps&Sizes (mm)



Specifications



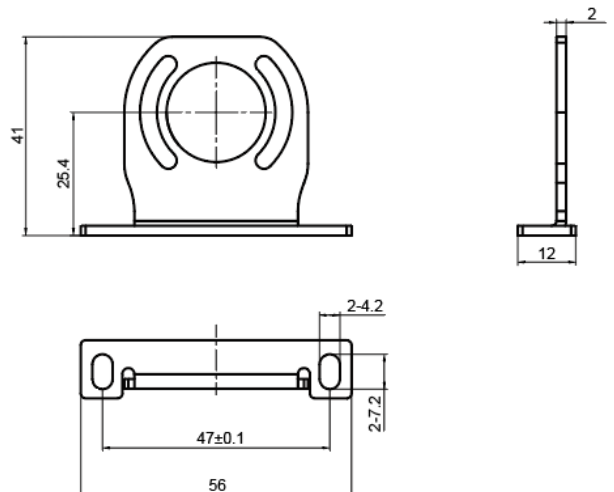
Models	L1	L2	Power	Current(DC24V)	Luminous Flux	CERT	Stand alone/In series	Weight
BLT48W200-M	261.5mm	238mm	6.2W	0.26A	500lm	CE/UL	In series	0.8kg
BLT48W400-M	461.5mm	438mm	12.5W	0.52A	1000lm	CE/UL	In series	1.1kg
BLT48W600-M	661.5mm	638mm	18.8W	0.78A	1500lm	CE/UL	In series	1.5kg
BLT48W800-M	861.5mm	838mm	25W	1.04A	2000lm	CE/UL	In series	1.9kg

Wiring

Series	Pre-moulding connector	Pin out	Connector model	Wiring Diagram
BLT48 (DC)			※This model is 2m cable, the other length can be customized EK3-2M/P00 EK4-2M/P00 EK3 EZ3-2M/P00 (Double ended)	

Models	BLT48W200-M	BLT48W400-M
Cascade Qty	8	4

Mounting brackets (mm)



The default matching mounting brackets, angle adjustable, 304 stainless steel, each lamp with two mounting brackets