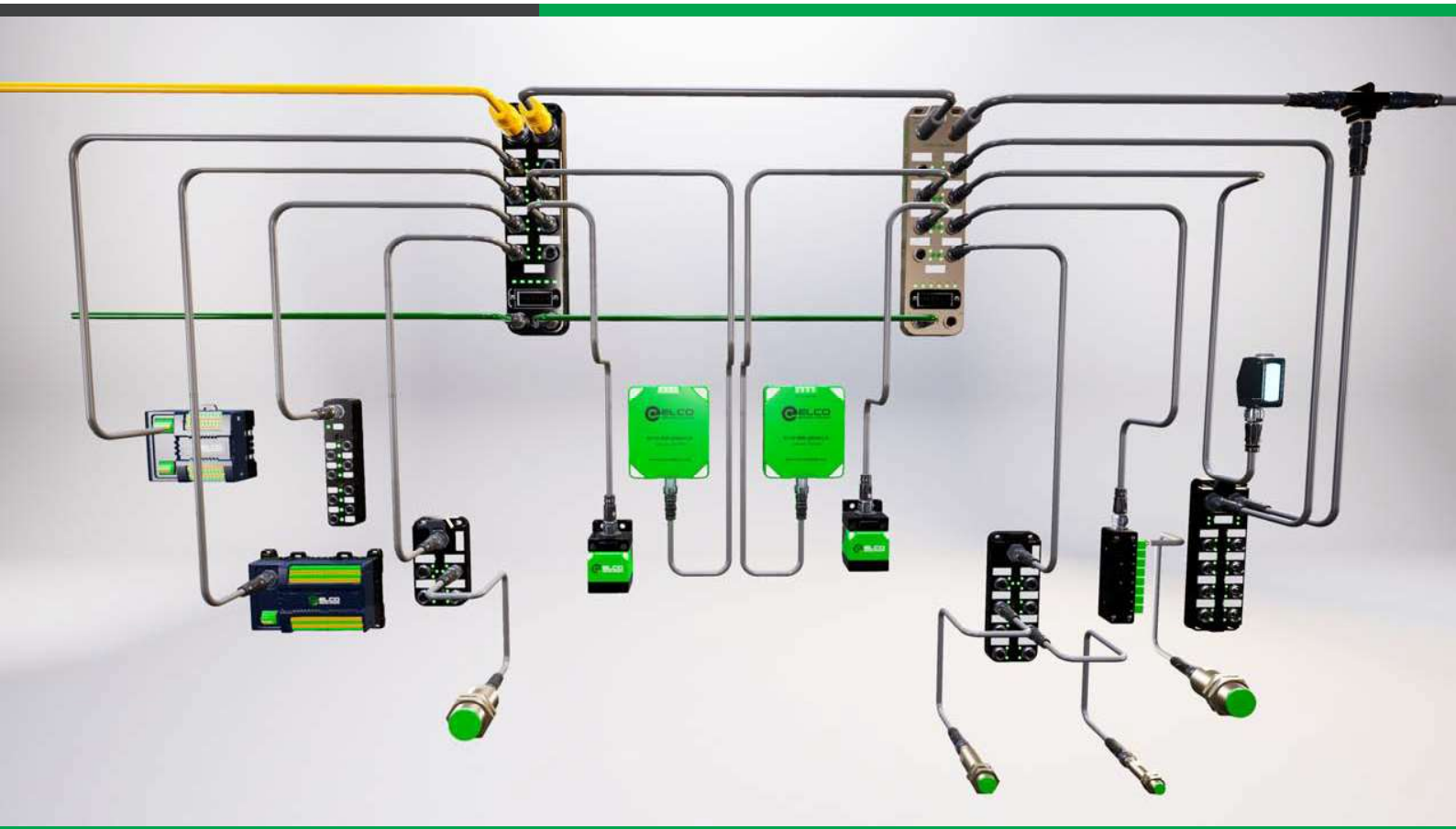
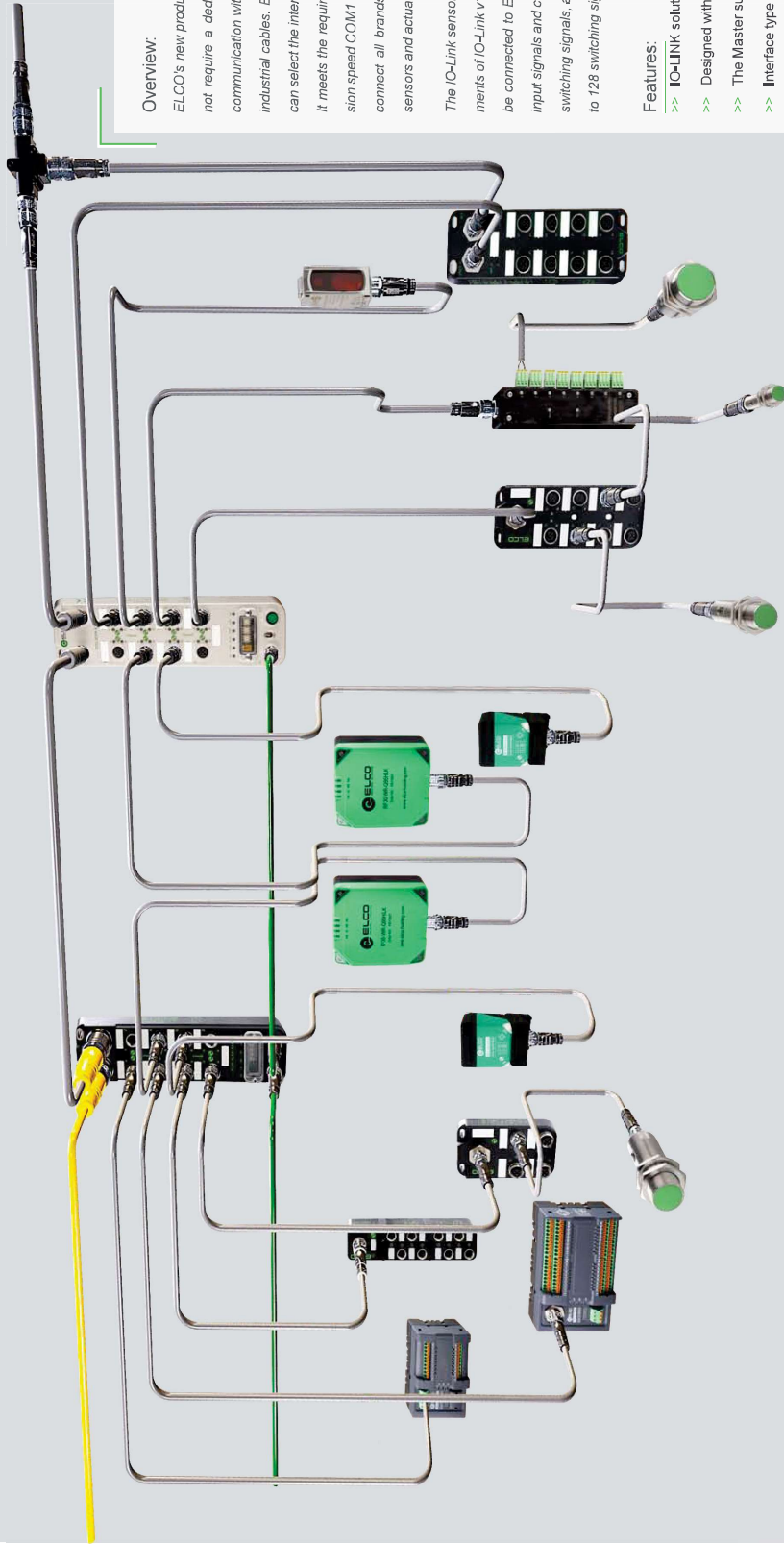


IO-LINK Product Catalog

IO-LINK Masters+Hubs+RFID





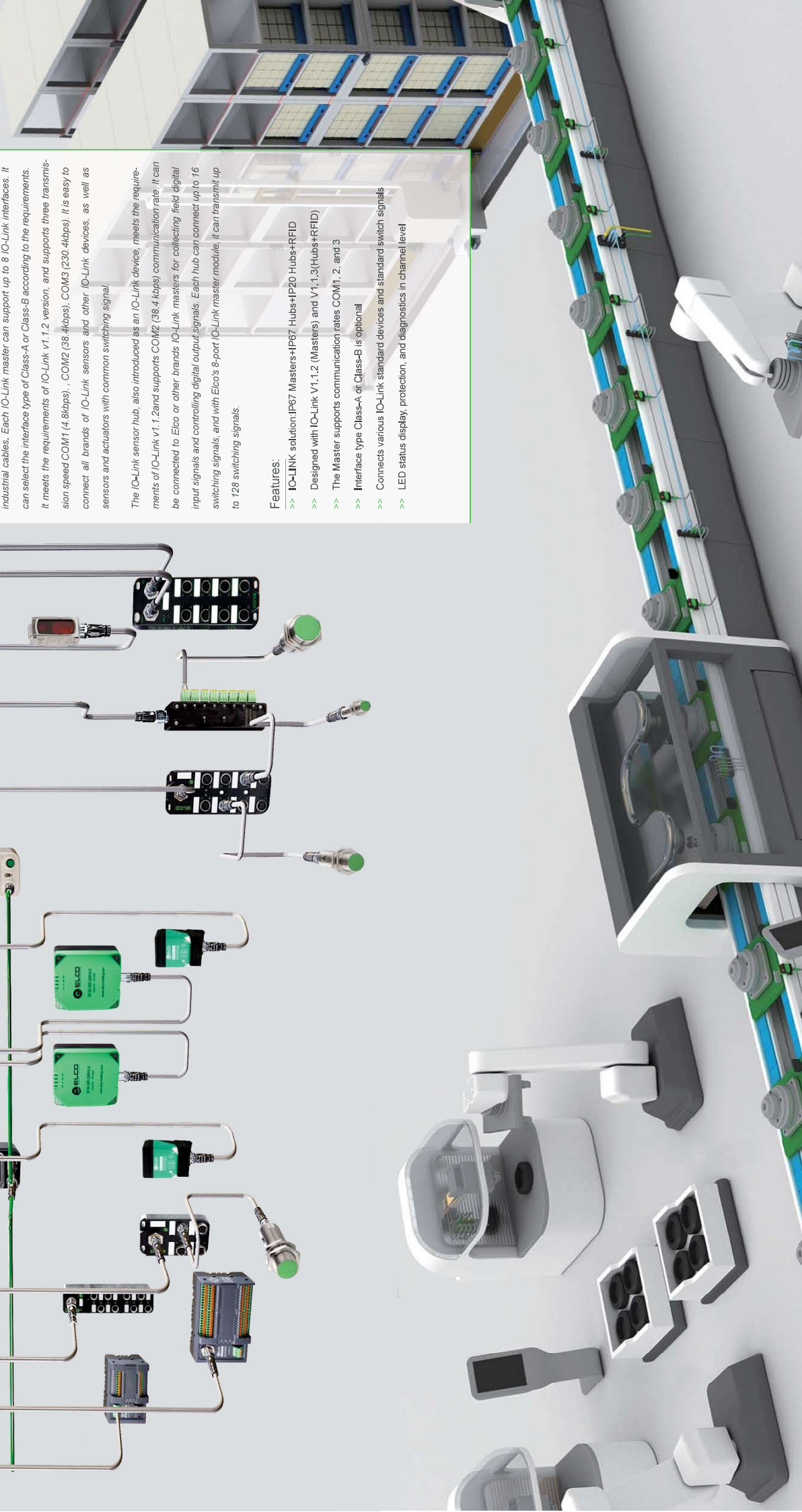
Overview:

ELCO's new product series, which supports IO-Link communication, does not require a dedicated communication cable as an IO-Link master. Efficient communication with IO-Link devices can be achieved using standard unshielded industrial cables. Each IO-Link master can support up to 8 IO-Link interfaces. It can select the interface type of Class-A or Class-B according to the requirements. It meets the requirements of IO-Link v1.1, 2 version, and supports three transmission speed COM11 (4.8kbps), COM2 (38.4kbps), COM3 (230.4kbps). It is easy to connect all brands of IO-Link sensors and other IO-Link devices, as well as sensors and actuators with common switching signal.

The IO-Link sensor hub, also introduced as an IO-Link device, meets the requirements of IO-Link v1.1, 2 and supports COM2 (38.4 kbps) communication rate. It can be connected to Elco or other brands IO-Link masters for collecting field digital input signals and controlling digital output signals. Each hub can connect up to 16 switching signals, and with Elco's 8-port IO-Link master module, it can transmit up to 128 switching signals.

Features:

- >> IO-LINK solution: IP67 Masters+IP67 Hubs+P20 Hubs+RFID
- >> Designed with IO-Link V1.1, 2 (Masters) and V1.1, 3 (Hubs+RFID)
- >> The Master supports communication rates COM1, 2, and 3
- >> Interface type Class-A of Class-B is optional
- >> Connects various IO-Link standard devices and standard switch signals
- >> LED status display, protection, and diagnostics in channel level

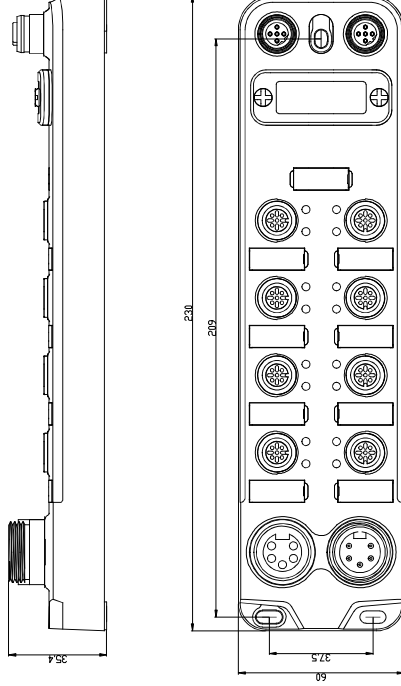


- IO-Link Version 1.1.2
- Transfer rates: COM1, COM2, COM3
- IO-Link ports: Class-A or Class-B

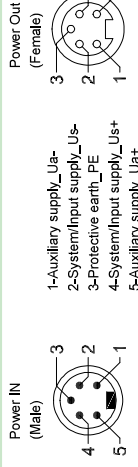


Ordering data	FCPN-8LKM-4A4B	FCPN-8LKM-8A	FCPN-4LKM-4A4S
Product type	8 IO-Link ports	8 IO-Link ports	4 IO-Link ports
Communication			
Protocol	Profinet		
Operating modes	Auto-negotiation, Auto-MDI/MDI-X		
Transfer rate	10/100 Mbps		
Addressing	Profinet standard, DCP		
Topology	Support		
Media Redundancy Protocol	Support		
Power supply			
Supply voltage	24 VDC (18...30 VDC)		
Current consumption	Max. 200mA		
System&Input supply	Us, Max. 8A		
Output supply	Ua, Max. 8A		
Electrical isolation	Us and Ua completely separated		
Connections			
Power supply	2 x 7/8" 5pin, Male+Female		
Fieldbus	2 x M12 D-code 4pin, Female		
Signals	8 x M12 A-code 5pin, Female		
Interface			
IO-Link ports	8	8	4
IO-Link type	4*Class-A + 4*Class-B	8*Class-A	4*Class-A
IO-Link version	IO-Link V1.1.2		
IO-Link communication rates	COM1(4.8kbps), COM2(38.4kbps), COM3(230.4kbps)		
Input channels	Max. 12	Max. 16	Max. 16
Input supply current	IO-Link: 1.6A per channel, Sigma: 200mA per channel		
Auxiliary supply current	2A per channel		
Input type	PNP sensors, mechanical switches, dry contacts, etc...		
Input delay		Max. 16	Max. 16
Output channels	Max. 12	Max. 16	Max. 16
Output current	Pin2: Max. 2A; Pin4: Max. 100mA		
Output type	Lamps, solenoidvalve, etc...		
Output frequency	Resistive load 100Hz, Inductive load 5Hz		
Diagnostics			
Communication indication	LED indication, Communication message		
Voltage detection	Support, Low voltage alarm		
Short-circuit & Overload	Support, LED indication		
General data			
Housing material	Reinforced nylon+fiberglass		
Protection	IP67		
Temperature	Operating -25...+70 °C, Storage -40...+85 °C		
Dimensions (W*H*D)	60x230x39 mm		

Dimensions drawing



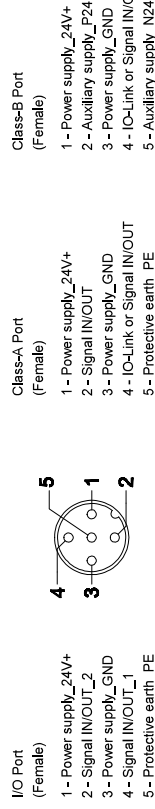
Voltage supply drawing



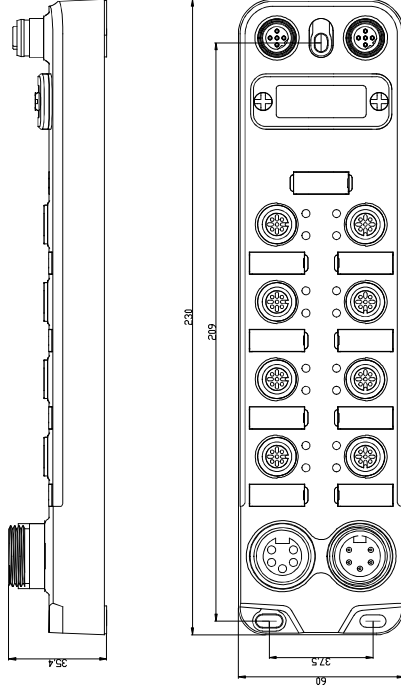
Fieldbus drawing



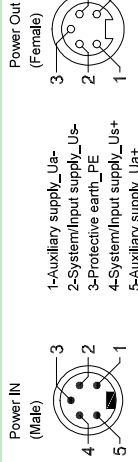
IO Port drawing



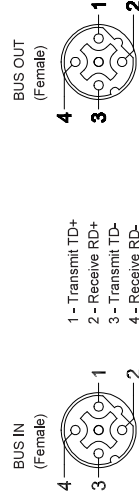
Dimensions drawing



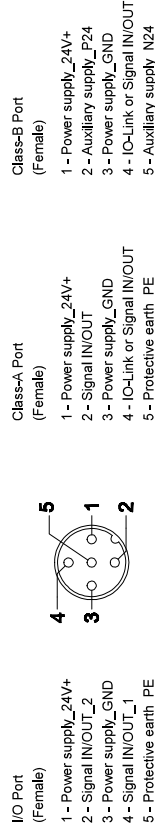
Voltage supply drawing



Fieldbus drawing



IO Port drawing

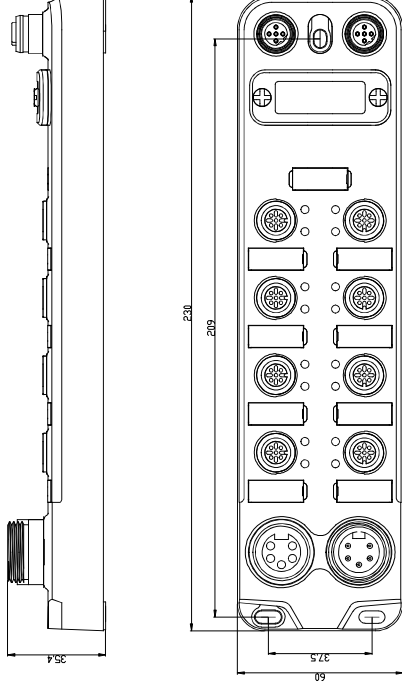


- IO-Link Version 1.1.2
- Transfer rates: COM1, COM2, COM3
- IO-Link ports: Class-A or Class-B

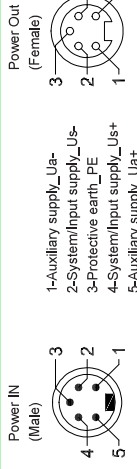


Ordering data		FCEI8LKM-4A4B	FCEI8LKM-8A	FCEI4LKM-4A4S
Product type		8 IO-Link ports	8 IO-Link ports	4 IO-Link ports
Communication				
Protocol	EtherNet/IP			
Operating modes	Auto-negotiation, Auto-MD/MDI-X			
Transfer rate	10/100 Mbps			
Addressing	DHCP, BOOTP			
Media Redundancy Protocol	Support			
Power supply				
Supply voltage	24 VDC(18...30 VDC)			
Current consumption	Max. 200mA			
System&Input supply	Us, Max. 8A			
Output supply	Ua, Max. 8A			
Electrical isolation	Us and Ua completely separated			
Connectors				
Power supply	2 x 7/8" 5pin, Male+Female			
Fieldbus	2 x M12 D-code 4pin, Female			
Signals	8 x M12 A-code 5pin, Female			
Interface				
IO-Link ports	8			
IO-Link type	4*Class-A + 4*Class-B			
IO-Link version	IO-Link V1.1.2			
IO-Link communication rates	COM1(4.8kbps), COM2(38.4kbps), COM3(230.4kbps)			
Input channels	Max. 12			
Input supply current	IO-Link: 1.6A per channel, Signal: 200mA per channel			
Auxiliary supply current	2A per channel			
Input type	PNP sensors, mechanical switches, dry contacts, etc...			
Input delay	1.6 ms			
Output channels	Max. 12			
Output current	Pin2: Max. 2A; Pin4: Max. 100mA			
Output type	Lamps, solenoid valve, etc...			
Output frequency	Resistive load 100Hz, Inductive load 5Hz			
Diagnostics				
Communication indication	LED indication, Communication message			
Voltage detection	Support, Low voltage alarm			
Short-circuit & Overload	Support, LED indication			
General data				
Housing material	Reinforced nylon+fiberglass			
Protection	IP67			
Temperature	Operating -25...+70 °C, Storage -40...+85 °C			
Dimensions (W*H*D)	60x230x39 mm			

Dimensions drawing



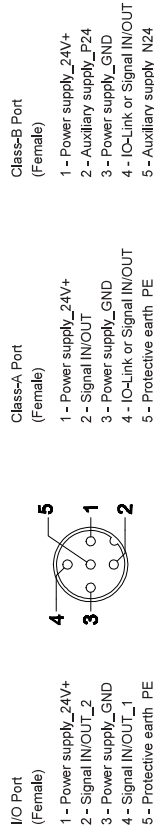
Voltage supply drawing



Fieldbus drawing



IO Port drawing

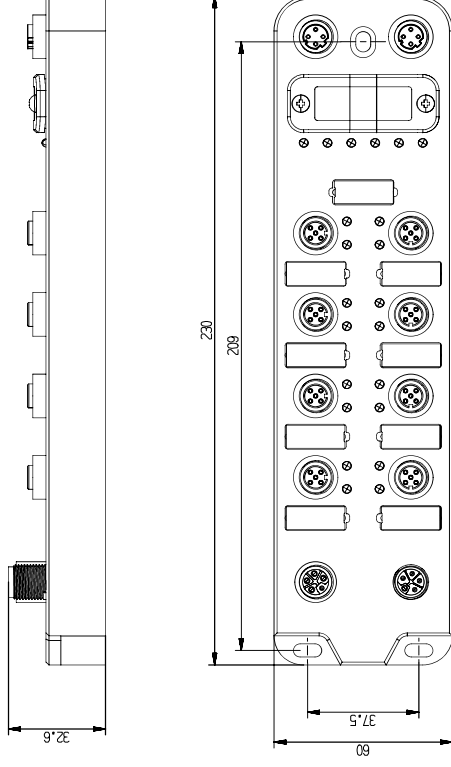


- IO-Link Version 1,1,2
- Transfer rates: COM1, COM2, COM3
- IO-Link ports: Class-A or Class-B

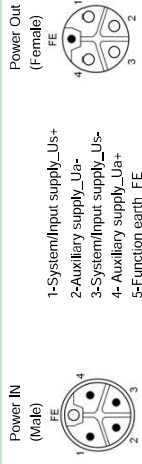


Ordering data	FCEC-8LKM-4A4B	FCEC-8LKM-8A	FCEC-4LKM-4A4S
Product type	8 IO-Link ports	8 IO-Link ports	4 IO-Link ports
Communication	EtherCAT		
Operating modes	Auto-negotiation, Auto-MDI/MDI-X		
Transfer rate	10/100 Mbps		
Addressing	System automatic allocation		
Power supply	24 VDC(18...30 VDC)		
Supply voltage	Max. 200mA		
Current consumption	Us, Max. 8A		
System&Input supply	Ua, Max. 8A		
Output supply	Us and Ua completely separated		
Electrical isolation	2 x 7/8" 5pin, Male+Female		
Connections	2 x M12 D-code 4pin, Female		
Power supply	8 x M12 A-code 5pin, Female		
Fieldbus			
Signals			
Interface			
IO-Link ports	8	8	4
IO-Link type	4*Class-A + 4*Class-B	8*Class-A	4*Class-A
IO-Link version	IO-Link V1.1,2		
IO-Link communication rates	COM1(4.8kbps), COM2(38.4kbps), COM3(230.4kbps)		
Input channels	Max. 12	Max. 16	Max. 16
Input supply current	IO-Link: 1.6A per channel, Signal: 200mA per channel		
Auxiliary supply current	2A per channel		
Input type	PNP sensors, mechanical switches, dry contacts, etc..		
Input delay	1.6 ms		
Output channels	Max. 12	Max. 16	Max. 16
Output current	Pin2: Max. 2A; Pin4: Max. 100mA		
Output type	Lamps, solenoidvalve, etc.		
Output frequency	Resistive load 100Hz, Inductive load 5Hz		
Diagnostics	LED indication, Communication message		
Communication indication	Support, Low voltage alarm		
Voltage detection	Support, LED indication		
Short-circuit & Overload	Support, LED indication		
General data	Reinforced nylon+fiberglass		
Housing material	IP67		
Protection			
Temperature	Operating -25...+70 °C, Storage -40...+85 °C		
Dimensions (W*H*D)	60x230x39 mm		

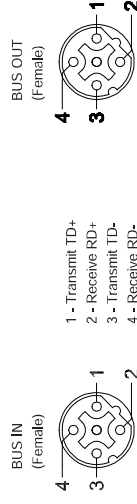
Dimensions drawing



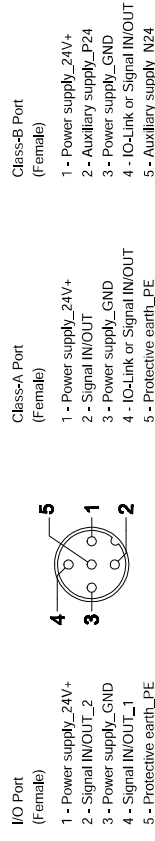
Voltage supply drawing



Fieldbus drawing



IO Port drawing

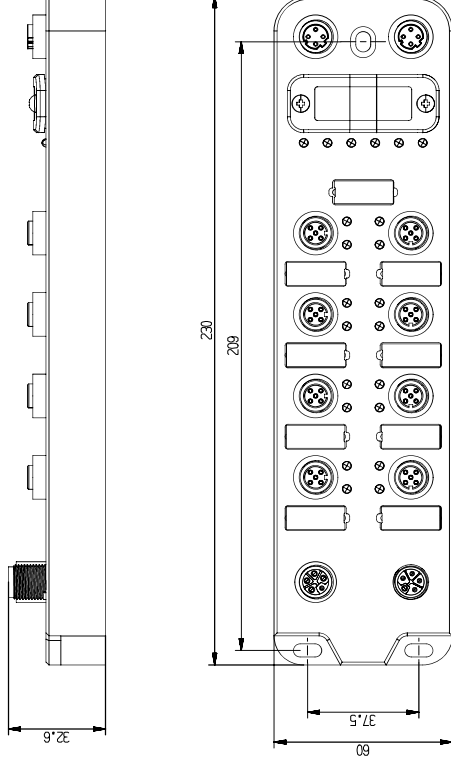


- IO-Link Version 1.1.2
- Transfer rates: COM1, COM2, COM3
- IO-Link ports: Class-A or Class-B
- Metal housing for better EMC performance and protection capabilities

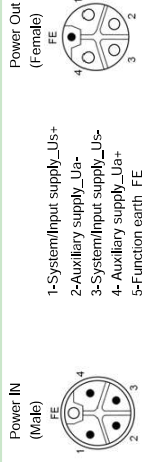


Ordering data	FCPN-8LKM-4A4B-M	FCPN-8LKM-8A-M	FCPN-4LKM-4A4S-M
Product type	8 IO-Link ports	8 IO-Link ports	4 IO-Link ports
Communication	Profinet		
Protocol	Auto-negotiation, Auto-MDI/MDI-X		
Operating modes	10/100 Mbps		
Transfer rate	Profinet standard, DCP		
Addressing	Support		
Topology	Support		
Media Redundancy Protocol			
Power supply	24 VDC (18...30 VDC)		
Supply voltage	Max. 200mA		
Current consumption	Us, Max. 9A		
System&Input supply	Ua, Max. 9A		
Output supply	Us and Ua: 24V separated, 0V connected		
Electrical isolation	Us and Ua completely separated		
Connections	2xM12 L-code 5pin, Male+Female		
Power supply	2xM12 D-code 4pin, Female		
Fieldbus	8xM12 A-code 5pin, Female		
Signals			
Interface			
IO-Link ports	8	8	4
IO-Link type	4*Class-A + 4*Class-B	8*Class-A	4*Class-A
IO-Link version	IO-Link V1.1.2		
IO-Link communication rates	COM1(4.8kbps), COM2(38.4kbps), COM3(230.4kbps)		
Input channels	Max. 12	Max. 16	Max. 16
Input supply current	IO-Link: 1.6A per channel, Signal: 200mA per channel		
Auxiliary supply current	2A per channel		
Input type	PNP sensors, mechanical switches, dry contacts, etc...		
Input delay	3.2 ms		
Output channels	Max. 12	Max. 16	Max. 16
Output current	Pin2: Max. 2A, Pin4: Max. 100mA		
Output type	Lamps, solenoidvalve, etc..		
Output frequency	Resistive load 100Hz, inductive load 5Hz		
Diagnostics			
Communication indication	LED indication, Communication message		
Voltage detection	Support, Low voltage alarm		
Short-circuit & Overload	Support, LED indication		
General data			
Housing material	Casting Zinc Alloy		
Protection	IP67		
Temperature	Operating -25...+70 °C, Storage -40...+85 °C		
Dimensions (W*H*D)	60x230x32.6 mm		

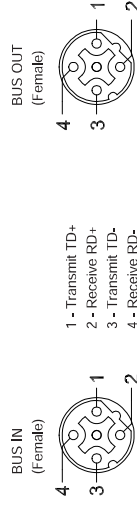
Dimensions drawing



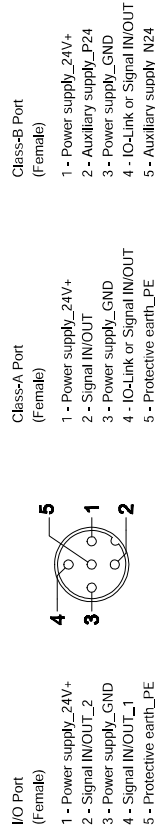
Voltage supply drawing



Fieldbus drawing



IO Port drawing

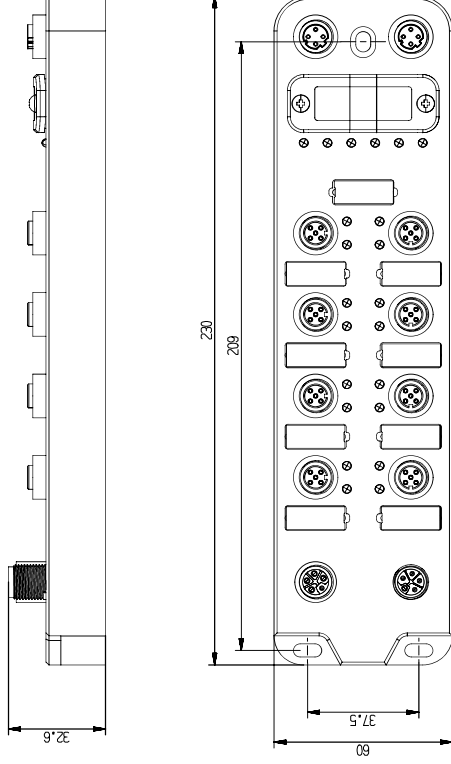


- IO-Link Version 1.1.2
- Transfer rates: COM1, COM2, COM3
- IO-Link ports: Class-A or Class-B
- Metal housing for better EMC performance and protection capabilities

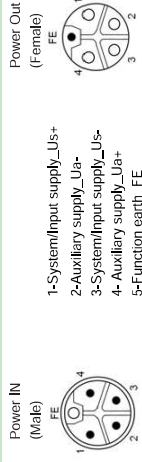


Ordering data	FCEI-8LKM-4A4B-M	FCEI-8LKM-8A-M	FCEI-4LKM-4A4S-M
Product type	8 IO-Link ports	8 IO-Link ports	4 IO-Link ports
Communication	EtherNet/IP		
Operating modes	Auto-negotiation, Auto-MDI/MDI-X		
Transfer rate	10/100 Mbps		
Addressing	DHCP, BOOTP		
Media Redundancy Protocol	Support		
Power supply	24 VDC(18...30 VDC)		
Supply voltage	Max. 200mA		
Current consumption	Us, Max. 9A		
System/Input supply	Ua, Max. 9A		
Output supply	Us and Ua completely separated		
Electrical isolation	Us and Ua: 24V separated, 0V connected		
Connectors	2xM12 L-code 5pin, Male+Female		
Power supply	2xM12 D-code 4pin, Female		
Fieldbus	8xM12 A-code 5pin, Female		
Interface	8		
IO-Link ports	4*Class-A + 4*Class-B		
IO-Link type	8*Class-A		
IO-Link version	IO-Link V1.1.2		
IO-Link communication rates	COM1(4.8kbps), COM2(38.4kbps), COM3(230.4kbps)		
Input channels	Max. 12		
Input supply current	IO-Link: 1.6A per channel, Signal: 200mA per channel		
Auxiliary supply current	2A per channel		
Input type	PNP sensors, mechanical switches, dry contacts, etc...		
Input delay	1.6 ms		
Output channels	Max. 12		
Output current	Pin2: Max. 2A; Pin4: Max. 100mA		
Output type	Lamps, solenoidvalve, etc...		
Output frequency	Resistive load 100Hz, Inductive load 5Hz		
Diagnostics	LED indication, Communication message		
Communication indication	Support, Low voltage alarm		
Voltage detection	Support, LED indication		
Short-circuit & Overload	Support, LED indication		
General data	Casting Zinc Alloy		
Housing material	IP67		
Protection	Operating +25...+70 °C, Storage -40...+85 °C		
Temperature	60x230x32.6 mm		
Dimensions (W*H*D)			

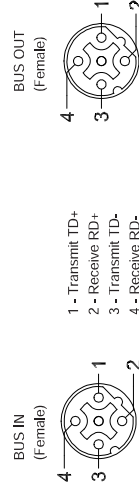
Dimensions drawing



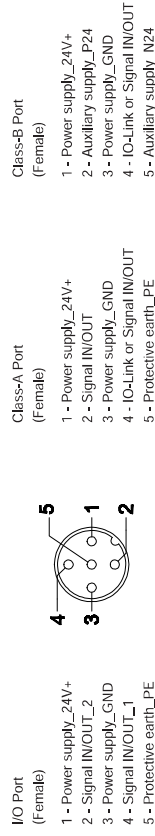
Voltage supply drawing



Fieldbus drawing



IO Port drawing

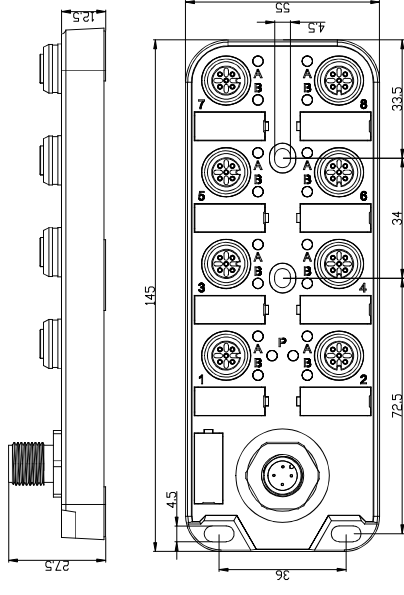


- IO-Link Version 1.1.2
- Transfer rates: COM1, COM2, COM3
- IO-Link ports: Class-A or Class-B
- Metal housing for better EMC performance and protection capabilities

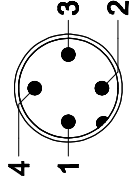


Ordering data	FCEC-8LKM-4A4B-M	FCEC-8LKM-4A-M	FCEC-4LKM-4A4S-M
Product type	8 IO-Link ports	8 IO-Link ports	4 IO-Link ports
Communication	EtherCAT		
Protocol	EtherCAT		
Operating modes	Auto-negotiation, Auto-MDI/MDI-X		
Transfer rate	10/100 Mbps		
Addressing	System automatic allocation		
Power supply	24 VDC (18...30 VDC)		
Supply voltage	Max. 200mA		
Current consumption	Us, Max. 9A		
System&Input supply	Ua, Max. 9A		
Output supply	Us and Ua completely separated		
Electrical isolation	Us and Ua: 24V separated, 0V connected		
Connections	2xM12 L-code 5pin, Male+Female		
Power supply	2xM12 D-code 4pin, Female		
Fieldbus	8xM12 A-code 5pin, Female		
Signals			
Interface			
IO-Link ports	8	8	4
IO-Link type	4*Class-A + 4*Class-B	8*Class-A	4*Class-A
IO-Link version	IO-Link V1.1.2		
IO-Link communication rates	COM1(4.8kbps), COM2(38.4kbps), COM3(230.4kbps)		
Input channels	Max. 12	Max. 16	Max. 16
Input supply current	IO-Link: 1.6A per channel, Signal: 200mA per channel		
Auxiliary supply current	2A per channel		
Input type	PNP sensors, mechanical switches, dry contacts, etc..		
Input delay	1.6 ms		
Output channels	Max. 12	Max. 16	Max. 16
Output current	Pin2: Max. 2A; Pin4: Max. 100mA		
Output type	Lamps, solenoidvalve, etc..		
Output frequency	Resistive load 100Hz; Inductive load 5Hz		
Diagnostics	LED indication, Communication message		
Communication indication	Support, Low voltage alarm		
Voltage detection	Support, LED indication		
General data			
Housing material	Casting Zinc Alloy		
Protection	IP67		
Temperature	Operating -25...+70 °C; Storage -40...+85 °C		
Dimensions (W*H*D)	60x230x32.6 mm		

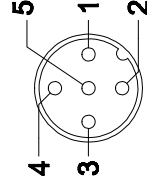
Dimensions drawing



Interface drawing



Class-A Port
(Male)
1-Power supply_24V+
2-Output supply_P24
3-Power supply_GND
4-IO-Link



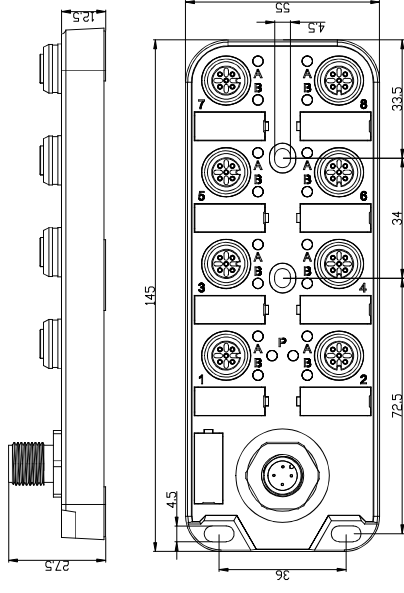
I/O Port
(Female)
1-Power supply_24V+
2-Signal IN/OUT_B
3-Power supply_GND
4-Signal IN/OUT_A
5-Protective earth_PE

- IO-Link Version 1.1,3
- Support rates: COM2
- IO-Link port: Class-A

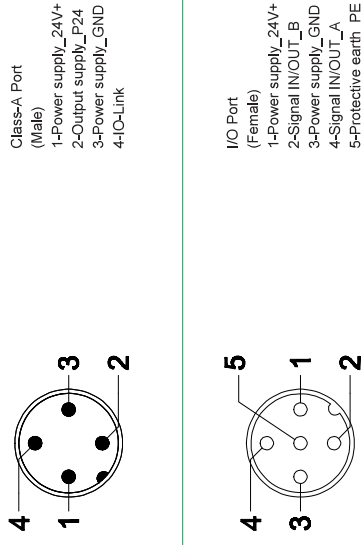


Ordering data	
Product type	LKHA-1600P-M12 LKHA-0808P-M12 LKHA-088UP-M12 LKHA-16UP-M12
Description	16DI, Class-A, 8*M12 8DI+8DO, Class-A, 8*M12 8DI+8DIO, Class-A, 8*M12 16DI/DO, Class-A, 8*M12
Connections	
IO-Link	Class-A: 1 x M12 A-code 4pin, Male
Power supply	Included in IO-Link interface
Signals	8 x M12 A-code 5pin, Female
Interface	
Input channels	16 Max. 16
Input supply current	Max. 200mA per channel, Sum 1.6A
Input type	PNP sensors, mechanical switches, dry contacts, etc..
Input delay	1.6 ms
Output channels	8 Max. 8
Output current	Max. 500mA per channel, 2A in total
Output type	Lamps, solenoidvalve, etc..
Output frequency	Resistive load 100Hz, Inductive load 5Hz
Diagnostics	
Communication indication	LED indication, Communication message
Voltage detection	Support, Low voltage alarm
Short-circuit & Overload	Support, LED indication
General data	
Protection	IP67
Temperature	Operating -25...+70 °C, Storage -40...+85 °C
Dimensions (W*H*D)	55x145x28 mm

Dimensions drawing



Interface drawing

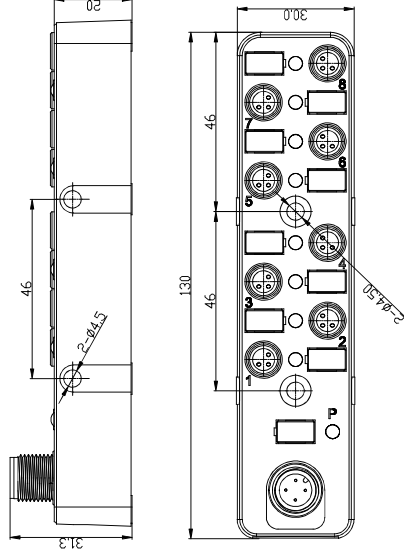


Class-A Port
(Male)
1-Power supply_24V+
2-Output supply_P24
3-Power supply_GND
4-IO-Link

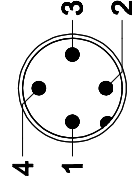
I/O Port
(Female)
1-Power supply_24V+
2-Signal IN/OUT_B
3-Power supply_GND
4-Signal IN/OUT_A
5-Protective earth_PIE

<ul style="list-style-type: none"> ■ IO-Link Version 1.1.3 ■ Transfer rate: COM2 (38.4 kBaud) ■ IO-Link port: Class-A ■ NPN type IO signal  <p>IO-Link</p>	<table border="1"> <tr> <th colspan="2">Ordering data</th> </tr> <tr> <td>Product type</td> <td>LKHA-1600N-M12 LKHA-088UN-M12 LKHA-16UN-M12</td> </tr> <tr> <td>Description</td> <td>16DI, Class-A, 8*M12 8DI+8DIO, Class-A, 8*M12 16DI/DO, Class-A, 8*M12</td> </tr> <tr> <th colspan="2">Connections</th> </tr> <tr> <td>IO-Link</td> <td>Class-A: 1 x M12 A-code 4pin, Male</td> </tr> <tr> <td>Power supply</td> <td>Included in IO-Link interface</td> </tr> <tr> <td>Signals</td> <td>8 x M12 A-code 5pin, Female</td> </tr> <tr> <th colspan="2">Interface</th> </tr> <tr> <td>Input channels</td> <td>16 Max. 16 Max. 16</td> </tr> <tr> <td>Input supply current</td> <td>Max. 200mA per channel, Sum 1.6A</td> </tr> <tr> <td>Input type</td> <td>NPN sensors, mechanical switches, dry contacts, etc..</td> </tr> <tr> <td>Input delay</td> <td>1.6 ms</td> </tr> <tr> <td>Output channels</td> <td>- Max. 8 Max. 16</td> </tr> <tr> <td>Output current</td> <td>Max. 500mA per channel, Sum 2A</td> </tr> <tr> <td>Output type</td> <td>Lamps, solenoid/valve, etc..</td> </tr> <tr> <td>Output frequency</td> <td>Resistive load 100Hz, Inductive load 5Hz</td> </tr> <tr> <th colspan="2">Diagnostics</th> </tr> <tr> <td>Communication indication</td> <td>LED indication, Communication message</td> </tr> <tr> <td>Voltage detection</td> <td>Support, Low voltage alarm</td> </tr> <tr> <td>Short-circuit & Overload</td> <td>Support, LED indication</td> </tr> <tr> <th colspan="2">General data</th> </tr> <tr> <td>Protection</td> <td>IP67</td> </tr> <tr> <td>Temperature</td> <td>Operating -25...+70 °C. Storage -40...+85 °C</td> </tr> <tr> <td>Dimensions (W*H*D)</td> <td>55x145x28 mm</td> </tr> </table>	Ordering data		Product type	LKHA-1600N-M12 LKHA-088UN-M12 LKHA-16UN-M12	Description	16DI, Class-A, 8*M12 8DI+8DIO, Class-A, 8*M12 16DI/DO, Class-A, 8*M12	Connections		IO-Link	Class-A: 1 x M12 A-code 4pin, Male	Power supply	Included in IO-Link interface	Signals	8 x M12 A-code 5pin, Female	Interface		Input channels	16 Max. 16 Max. 16	Input supply current	Max. 200mA per channel, Sum 1.6A	Input type	NPN sensors, mechanical switches, dry contacts, etc..	Input delay	1.6 ms	Output channels	- Max. 8 Max. 16	Output current	Max. 500mA per channel, Sum 2A	Output type	Lamps, solenoid/valve, etc..	Output frequency	Resistive load 100Hz, Inductive load 5Hz	Diagnostics		Communication indication	LED indication, Communication message	Voltage detection	Support, Low voltage alarm	Short-circuit & Overload	Support, LED indication	General data		Protection	IP67	Temperature	Operating -25...+70 °C. Storage -40...+85 °C	Dimensions (W*H*D)	55x145x28 mm
Ordering data																																																	
Product type	LKHA-1600N-M12 LKHA-088UN-M12 LKHA-16UN-M12																																																
Description	16DI, Class-A, 8*M12 8DI+8DIO, Class-A, 8*M12 16DI/DO, Class-A, 8*M12																																																
Connections																																																	
IO-Link	Class-A: 1 x M12 A-code 4pin, Male																																																
Power supply	Included in IO-Link interface																																																
Signals	8 x M12 A-code 5pin, Female																																																
Interface																																																	
Input channels	16 Max. 16 Max. 16																																																
Input supply current	Max. 200mA per channel, Sum 1.6A																																																
Input type	NPN sensors, mechanical switches, dry contacts, etc..																																																
Input delay	1.6 ms																																																
Output channels	- Max. 8 Max. 16																																																
Output current	Max. 500mA per channel, Sum 2A																																																
Output type	Lamps, solenoid/valve, etc..																																																
Output frequency	Resistive load 100Hz, Inductive load 5Hz																																																
Diagnostics																																																	
Communication indication	LED indication, Communication message																																																
Voltage detection	Support, Low voltage alarm																																																
Short-circuit & Overload	Support, LED indication																																																
General data																																																	
Protection	IP67																																																
Temperature	Operating -25...+70 °C. Storage -40...+85 °C																																																
Dimensions (W*H*D)	55x145x28 mm																																																

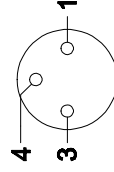
Dimensions drawing



Interface drawing



Class-A Port (Male)
 1-Power supply_24V+
 2-Output supply_P24
 3-Power supply_GND
 4-IO-Link



IO Port (Female)
 1-Power supply_24V+
 3-Power supply_GND
 4-Signal IN/OUT

- IO-Link Version 1.1.3
- Transfer rate:COM2 (38.4 kBaud)
- IO-Link port: Class-A



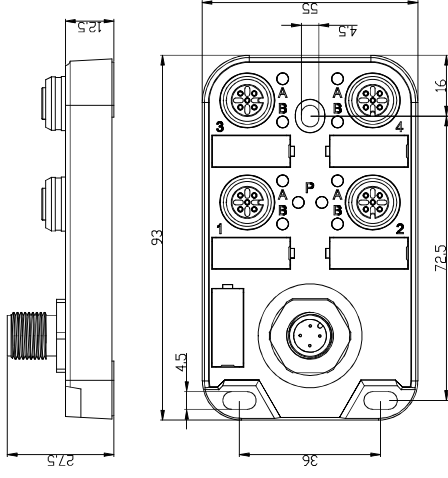
Ordering data	
Product type	LKHA-0800P-M8
Description	8DI, Class-A, 8*M8
Connections	
IO-Link	Class-A: 1 x M12 A-code 4pin, Male
Power supply	Included in IO-Link interface
Signals	8 x M8 3pin, Female
Interface	
Input channels	8
Input supply current	Max. 200mA per channel, Sum 1.6A
Input type	PNP sensors, mechanical switches, dry contacts, etc..
Input delay	1.6 ms
Output channels	-
Output current	Max. 500mA per channel, Sum 2A
Output type	Lamps, solenoidvalve, etc..
Output frequency	Resistive load 100Hz, Inductive load 5Hz
Diagnostics	
Communication indication	LED indication, Communication message
Voltage detection	Support, Low voltage alarm
Short-circuit & Overload	Support, LED indication
General data	
Protection	IP67
Temperature	Operating -25...+70 °C, Storage -40...+85 °C
Dimensions (W*H*D)	30x130x31 mm

- IO-Link Version 1.1,3
- Support rates: COM2
- IO-Link ports: Class-A

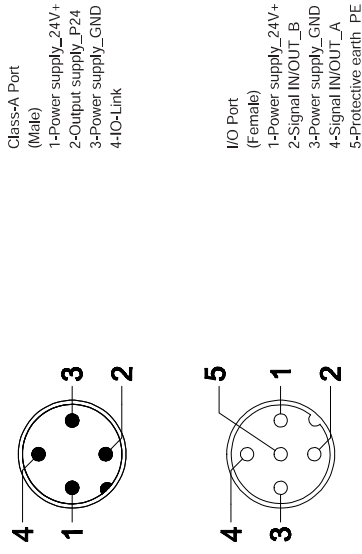


Ordering data	
Product type	LKHA-0800P-M12
Description	8DI, Class-A, 4*M12
Connections	
IO-Link	Class-A: 1 x M12 A-code 4pin, Male
Power supply	Included in IO-Link interface
Signals	4 x M12 A-code 5pin, Female
Interface	
Input channels	8
Input supply current	Max. 200mA per channel, Sum 1.6A
Input type	PNP sensors, mechanical switches, dry contacts, etc..
Input delay	1.6 ms
Output channels	-
Output current	Max. 500mA per channel, Sum 2A
Output type	Lamps, solenoidvalve, etc..
Output frequency	Resistive load 100Hz, Inductive load 5Hz
Diagnostics	
Communication indication	LED indication, Communication message
Voltage detection	Support, Low voltage alarm
Short-circuit & Overload	Support, LED indication
General data	
Protection	IP67
Temperature	Operating -25...+70 °C, Storage -40...+85 °C
Dimensions (W*H*D)	55x93x28 mm

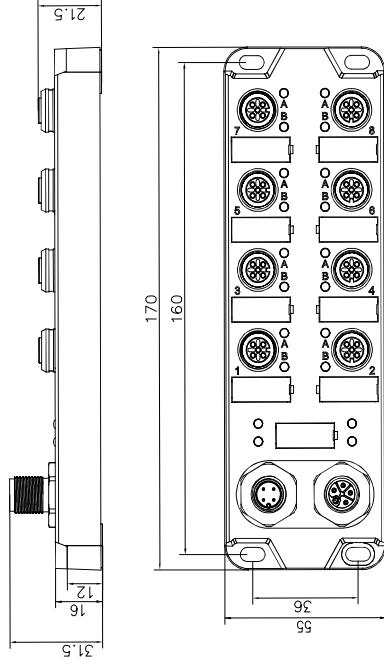
Dimensions drawing



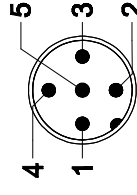
Interface drawing



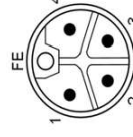
Dimensions drawing



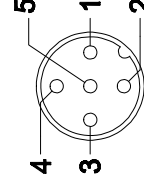
Interface drawing



IO-Link Class-A Port(Male)
 1-Power supply_24V+
 2-Output supply_P24
 3-Power supply_GND
 4-IO-Link



Aux power supply Port, L-CODE, Male
 1- n.c
 2- Aux power supply N24
 3- n.c
 4- Aux power supply P24
 5- Function Earth FE



IO Port(Female)
 1-Power supply_24V+
 2-Signal IN/OUT_B
 3-Power supply_GND
 4-Signal IN/OUT_A
 5-Protective earth_PE

- IO-Link Version 1.1.3
- Support rates: COM2
- L-CODE auxiliary power supply with greater load driving capacity



Ordering data	
Product type	LKHA-0016P-M12-A
Description	LKHA-0016P-M12-A 16DO, Class-A, 8 M12
Product type	---
Description	---
Interface	
IO-Link	1 x M12 A-code 4pin, Male
Power Supply	M12, L-CODE
Signal	8 x M12 A-code 4pin, Female
Electrical parameters	
Input Channels	8
Input supply current	Max. 200mA per channel, Sum 1.6A
Input type	PNP sensors/mechanical switches/dry contacts/etc..
Input delay	1.6 ms
Output Channels	8
Output current	Max. 2A per channel, Sum 9A
Output type	Hydraulic valves, etc
Output frequency	Resistive load 100Hz, Inductive load 5Hz
Diagnostics	
Communication	LED indication, Communication message
Voltage detection	Support, Low voltage alarm
Short-circuit & Overload	Support, LED indication
General data	
Protection degree	IP67
Temperature	Operating -25...+70 °C, Storage -40...+85 °C
Dimensions	55x170x31.5 mm

IO-LINK IP20 Hubs-32 Digital I/O modules

- IO-Link Version 1,1,3
- Transfer rate:COM2 (38,4 kBaud)
- IO-Link port: Class A
- Pluggable I/O terminal blocks



IO-Link

Ordering data			
Product Model	LKHA-3200P-QC	LKHA-1616P-QC	LKHA-0032P-TC
Description	32DI,PNP,interface 4-PIN M12	16DI/16DO,PNP,interface 4-PIN M12	32DO,PNP,interface 4-PIN M12
Product Model	LKHA-3200N-QC	LKHA-1616N-QC	LKHA-0032N-TC
Description	32DI,NPN,interface 4-PIN M12	16DI/16DO,NPN,interface 4-PIN M12	32DO,NPN,interface 4-PIN M12
Electrical connection			
IO-Link	1xM12 A-CODE 4-PIN, Male	1xM12 A-CODE 4-PIN, Male	1xM12 A-CODE 4-PIN, Male
Power supply	IO-LINK interface+Power supply terminals(Us+Ua)		
Input/Output	4x 10 position I/O terminal blocks, Push-in spring connection, Pluggable		
Electrical data			
Input	32	16	16
Input supply current	Max 200mA per channel Sum 1,6A (without Ua)/6A (with Ua)	Max 200mA per channel Sum 1,6A	—
Input delay	0,6ms, 1,6ms, 3,2ms or 20ms ,Parameterizable configuration	0,6ms, 1,6ms, 3,2ms or 20ms ,Parameterizable configuration	—
Output	-	16	32
Output current	-	Max 500mA per channel, Sum 6A	—
Output type	-	Lamps, solenoidvalve, etc..	—
Output frequency	-	Resistive load 100Hz, Inductive load 5Hz	—
Diagnostics			
Communication status	LED indication, Communication message		
Voltage detection	LED indication		
Short-circuit & Overload	LED indication		
General data			
Protection Class	IP20		
Temperature	Operating -25...+70 °C, Storage -40...+65 °C		
Dimensions (W*H*D)	120mmx70mmx41,5mm		

IO-LINK IP20 Hubs-32 Digital I/O modules

- IO-Link Version 1,1,3
- Transfer rate:COM2 (38,4 kBaud)
- IO-Link port: Class A
- Pluggable I/O and Aux-plugs(24V and 0V) terminal blocks



IO-Link

Ordering data			
Product Model	LKHA-3200P-QA	LKHA-3200P-TA	LKHA-1616P-TA
Description	32DI,PNP,interface 4-PIN M12	32DI,PNP,interface 4-Pos terminals	16DI/16DO,PNP,interface 4-PIN M12
Product Model	LKHA-3200N-QA	LKHA-3200N-TA	LKHA-1616N-TA
Description	32DI,NPN,interface 4-PIN M12	32DI,NPN,interface 4-Pos terminals	16DI/16DO,NPN,interface 4-Pos terminals
Electrical connection			
IO-Link	1xM12 A-CODE 4-PIN,Male	1x4-Pos terminals	1xM12 A-CODE 4-PIN,Male
Power supply	IO-LINK, interface+Power supply terminals(Us+Us)		
Input/Output	4x 10 position I/O terminal blocks+4x10 position Aux-plugs(24V and 0V) terminal blocks,Push-in spring connection,Pluggable		
Electrical data			
Input	32	16	16
Input supply current	Max 200mA per channel Sum 1,6A (without Ua)/6A (with Ua)	Max 200mA per channel Sum 1,6A	—
Input delay	0,6ms,1,6ms,3,2ms or 20ms ,Parameterizable configuration	0,6ms,1,6ms,3,2ms or 20ms ,Parameterizable configuration	—
Output	-	16	32
Output current	-	-	Max 500mA per channe, Sum 6A
Output type	-	-	I Lamps, solenoidvalve, etc..
Output frequency	-	-	Resistive load :100Hz, Inductive load 5Hz
Diagnostics			
Communication status	LED indication, Communication message		
Voltage detection	LED indication		
Short-circuit & Overload	LED indication		
General data			
Protection Class	IP20		
Temperature	Operating -25...+70 °C, Storage -40...+85 °C		
Dimensions (W*H*D)	120mmx70mmx41,5mm		

- IO-Link Version 1,1,3
- Transfer rate:COM2 (38,4 kBaud)
- IO-Link port: Class A
- Pluggable I/O terminal blocks



IO-Link

Ordering data			
Product Model	LKHA-1600P-QC	LKHA-1600P-TC	LKHA-0016P-TC
Description	16DI,PNP,interface 4-PIN M12	16DI,PNP,interface 4-Pos terminals	16DO,PNP,interface 4-Pos terminals
Product Model	LKHA-1600N-QC	LKHA-1600N-TC	LKHA-0016N-TC
Description	16DI,NPN,interface 4-PIN M12	16DI,NPN,interface 4-Pos terminals	16DO,NPN,interface 4-Pos terminals
Electrical connection			
IO-Link	1xM12 A-CODE 4-PIN,Male	1x4-Pos terminals	1xM12 A-CODE 4-PIN,Male
Power supply	Included in IO-Link interface		
Input/Output	2x 10 position I/O terminal blocks Push-in spring connection, Pluggable		
Electrical data			
Input	16	16	8
Input supply current	Max 200mA per channel,Sum 1,6A	Max 200mA per channel,Sum 1,6A	8
Input delay	0,8ms,1,6ms,3,2ms or 20ms ,Parameterizable configuration	0,8ms,1,6ms,3,2ms or 20ms ,Parameterizable configuration	—
Output	-	-	8
Output current	-	-	Max 500mA per channel,Sum 2A
Output type	-	-	Lamps, solenoidvalve, etc..
Output frequency	-	-	Resistive load 100Hz, Inductive load 5Hz
Diagnostics			
Communication status	LED indication, Communication message		
Voltage detection	LED indication		
Short-circuit & Overload	LED indication		
General data			
Protection Class	IP20		
Temperature	Operating -25...+70 °C, Storage -40...+85 °C		
Dimensions (W*H*D)	91mmx70mmx38mm		

IO-LINK IP20 Hubs-16 Digital I/O modules

- IO-Link Version 1,1,3
- Transfer rate:COM2 (38,4 kBaud)
- IO-Link port: Class A
- Pluggable I/O and Aux-plugs(24V and 0V) terminal blocks



IO-Link

Ordering data			
Product Model	LKHA-1600P-QA	LKHA-0808P-TA	LKHA-0016P-TA
Description	16DI,PNP,interface 4-PIN M12	8DI/8DO,PNP,interface 4-Pos terminals	16DO,PNP,interface 4-PIN M12
Product Model	LKHA-1600N-QA	LKHA-0808N-TA	LKHA-0016N-TA
Description	16D,NPN,interface 4-PIN M12	8DI/8DO,NPN,interface 4-Pos terminals	16DO,NPN,interface 4-Pos terminals
Electrical connection			
IO-Link	1xM12 A-CODE 4-PIN, Male	1xM12 A-CODE 4-PIN, Male	1xM12 A-CODE 4-PIN, Male
Power supply	Included in IO-Link interface		
Input/Output	2x 10 position I/O terminal blocks+2x10 position Aux-plugs(24V and 0V) terminal blocks,Push-in spring connection,Pluggable		
Electrical data			
Input	16	8	8
Input supply current	Max 200mA per channel(Sum 1,6A)	Max 200mA per channel,Sum 1,6A	
Input delay	0,8ms,1,6ms,3,2ms or 20ms ,Parameterizable configuration	0,8ms,1,6ms,3,2ms or 20ms ,Parameterizable configuration	
Output	-	8	16
Output current	-	Max 500mA per channel ,Sum 2A	
Output type	-	Lamps, solenoidvalve, etc..	
Output frequency	-	Resistive load 100Hz, Inductive load 5Hz	
Diagnostics			
Communication status	LED indication, Communication message		
Voltage detection	LED indication		
Short-circuit & Overload	LED indication		
General data			
Protection Class	IP20		
Temperature	Operating -25...+70 °C, Storage -40...+85 °C		
Dimensions (W*H*D)	91mmx70mmx38mm		

Dimension drawing and terminal definition-NPN

LKHA-0808N-QC

Definition No. 1 2 3 4 5 6 7 8 9 10

No. 11 12 13 14 15 16 17 18 19 20

Definition 2L 01 02 03 04 05 06 07 08 M

1-IL 2AV*(BN)
2-IL 2AV*(WH)
3-M(GND)(BU)
4-CO(BK)

LKHA-0808N-QA

Definition No. 1 2 3 4 5 6 7 8 9 10

No. 11 12 13 14 15 16 17 18 19 20

Definition 1L 11 12 13 14 15 16 17 18 M

2L 21 22 23 24 25 26 27 28 29 30

3L 01 02 03 04 05 06 07 08 M

4L 31 32 33 34 35 36 37 38 39 40

1-IL 2AV*(BN)
2-IL 2AV*(WH)
3-M(GND)(BU)
4-CO(BK)

LKHA-0808N-TC

Definition No. 1 2 3 4 5 6 7 8 9 10

No. 11 12 13 14 15 16 17 18 19 20

Definition 2L 01 02 03 04 05 06 07 08 M

1-IL 2AV*(BN)
2-IL 2AV*(WH)
3-M(GND)(BU)
4-CO(BK)

LKHA-0808N-TA

Definition No. 1 2 3 4 5 6 7 8 9 10

No. 11 12 13 14 15 16 17 18 19 20

Definition 2L 01 02 03 04 05 06 07 08 M

2L 21 22 23 24 25 26 27 28 29 30

3L 31 32 33 34 35 36 37 38 39 40

1-IL 2AV*(BN)
2-IL 2AV*(WH)
3-M(GND)(BU)
4-CO(BK)

LKHA-1600N-QC

Definition No. 1 2 3 4 5 6 7 8 9 10

No. 11 12 13 14 15 16 17 18 19 20

Definition 1L 11 12 13 14 15 16 17 18 19 20

1-IL 2AV*(BN)
2-IL 2AV*(WH)
3-M(GND)(BU)
4-CO(BK)

LKHA-1600N-QA

Definition No. 1 2 3 4 5 6 7 8 9 10

No. 11 12 13 14 15 16 17 18 19 20

Definition 1L 11 12 13 14 15 16 17 18 19 20

2L 21 22 23 24 25 26 27 28 29 30

3L 31 32 33 34 35 36 37 38 39 40

1-IL 2AV*(BN)
2-IL 2AV*(WH)
3-M(GND)(BU)
4-CO(BK)

LKHA-1600N-TC

Definition No. 1 2 3 4 5 6 7 8 9 10

No. 11 12 13 14 15 16 17 18 19 20

Definition 2L 01 02 03 04 05 06 07 08 M

1-IL 2AV*(BN)
2-IL 2AV*(WH)
3-M(GND)(BU)
4-CO(BK)

LKHA-1600N-TA

Definition No. 1 2 3 4 5 6 7 8 9 10

No. 11 12 13 14 15 16 17 18 19 20

Definition 2L 01 02 03 04 05 06 07 08 M

2L 21 22 23 24 25 26 27 28 29 30

3L 31 32 33 34 35 36 37 38 39 40

1-IL 2AV*(BN)
2-IL 2AV*(WH)
3-M(GND)(BU)
4-CO(BK)

LKHA-0016N-QC

Definition No. 1 2 3 4 5 6 7 8 9 10

No. 11 12 13 14 15 16 17 18 19 20

Definition 2L 09 010 011 012 013 014 015 016 M

1-IL 2AV*(BN)
2-IL 2AV*(WH)
3-M(GND)(BU)
4-CO(BK)

LKHA-0016N-QA

Definition No. 1 2 3 4 5 6 7 8 9 10

No. 11 12 13 14 15 16 17 18 19 20

Definition 2L 01 02 03 04 05 06 07 08 M

2L 09 010 011 012 013 014 015 016 M

3L 21 22 23 24 25 26 27 28 29 30

4L 31 32 33 34 35 36 37 38 39 40

1-IL 2AV*(BN)
2-IL 2AV*(WH)
3-M(GND)(BU)
4-CO(BK)

LKHA-0016N-TC

Definition No. 1 2 3 4 5 6 7 8 9 10

No. 11 12 13 14 15 16 17 18 19 20

Definition 2L 09 010 011 012 013 014 015 016 M

1-IL 2AV*(BN)
2-IL 2AV*(WH)
3-M(GND)(BU)
4-CO(BK)

LKHA-0016N-TA

Definition No. 1 2 3 4 5 6 7 8 9 10

No. 11 12 13 14 15 16 17 18 19 20

Definition 2L 09 010 011 012 013 014 015 016 M

2L 21 22 23 24 25 26 27 28 29 30

3L 31 32 33 34 35 36 37 38 39 40

1-IL 2AV*(BN)
2-IL 2AV*(WH)
3-M(GND)(BU)
4-CO(BK)

IO-LINK IP20 Hubs 8-Channel Analog I/O modules

- IO-Link Version 1.1.3
- Transfer rate: COM2 (38.4 kBaud)
- IO-Link port: Class A
- Pluggable I/O terminals
- 8-channel 16 bits resolution analog input/output

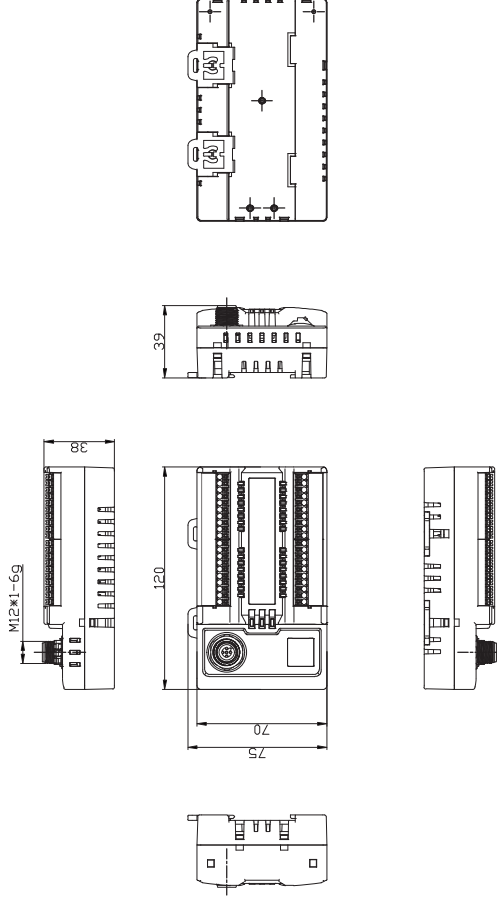


Ordering data	LKHA-08UA-QC		LKHA-08UA-TC
Product Model	8-channel Analog I/O Module , 4-PIN M12		
Description	8-channel Analog I/O Module , 4-PIN M12		
Electrical connection	8-channel Analog I/O Module , 4-Pos terminals		
IO-Link	1xM12 A-CODE 4-PIN, Male	1x4-Pos terminals	
Power supply	Included in IO-Link interface	Included in IO-Link interface	
Input/Output	2x 10-Pos terminals		
Electrical data	Voltage and current input and output can be configured thermal resistance, thermocouple input		
Operation type	8		
Input	200mA per channel		
Input supply current	0...20mA, 4...20mA, 0...10V, thermocouple: J, K, T, N, E type, PT100, PT1000		
Input type	Current: 250Ω; Voltage: 1MΩ		
Input impedance	16 Bits		
Input resolution	Current, Voltage: 12 ms; thermocouple: 50ms		
Conversion time	±0.3%		
Measurement accuracy	8		
Output	Current: 0...20mA, 4...20mA; Voltage: 0...10V;		
Output type	Current: <450Ω; Voltage: >1kΩ		
Output Impedance	16Bits		
Output Resolution	12ms		
Conversion time	±0.3%		
Measurement accuracy	LED indication, Communication message		
Diagnostics	LED indication		
Communication status	LED indication		
Voltage detection	LED indication		
Short-circuit & Overload	IP20		
General data	Operating -25...+70 °C, Storage -40...+85 °C		
Protection Class	91mmx70mmx38mm		
Temperature			
Dimensions (W*H*D)			

IO-LINK IP20 Hubs 8-Channel Analog I/O modules



Dimension drawing and terminal definition



- 1- 1L 24V+
- 2- nc
- 3- 1M GND
- 4- C/Q

Definition No.	1	2	3	4	5	6	7	8	9	10	11	12	13	14	15	16	17	18	19	20
	nc	1L	1M	A1+	A1-	1L	1M	A2+	A2-	nc	nc	1L	1M	A3+	A3-	1L	1M	A4+	A4-	nc

LKHA-08UA-QC

Definition No.	1	2	3	4	5	6	7	8	9	10	11	12	13	14	15	16	17	18	19	20
	nc	1L	1M	A5+	A5-	1L	1M	A6+	A6-	nc	nc	1L	1M	A7+	A7-	1L	1M	A8+	A8-	nc

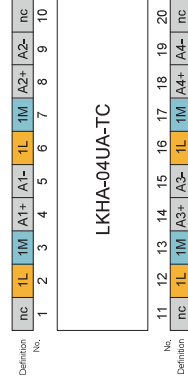
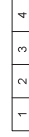
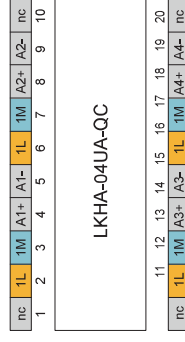
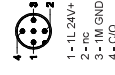
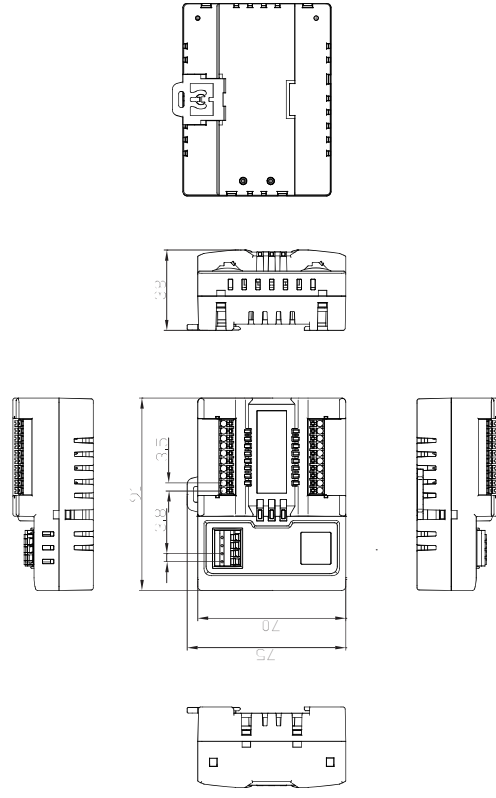
Definition No.	1	2	3	4	5	6	7	8	9	10	11	12	13	14	15	16	17	18	19	20
	nc	1L	1M	A1+	A1-	1L	1M	A2+	A2-	nc	nc	1L	1M	A3+	A3-	1L	1M	A4+	A4-	nc

LKHA-08UA-TC

Definition No.	1	2	3	4	5	6	7	8	9	10	11	12	13	14	15	16	17	18	19	20
	nc	1L	1M	A5+	A5-	1L	1M	A6+	A6-	nc	nc	1L	1M	A7+	A7-	1L	1M	A8+	A8-	nc

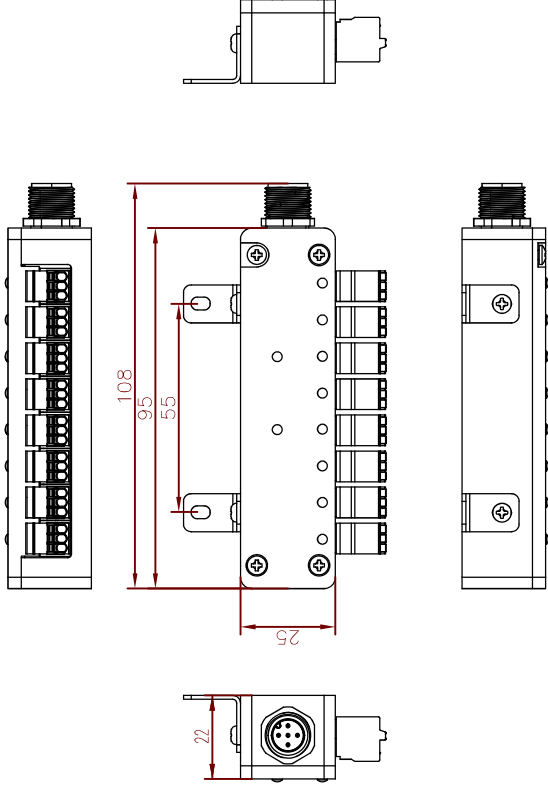
- 1- 1L 24V+
- 2- nc
- 3- 1M GND
- 4- C/Q

Dimension drawing and terminal definition

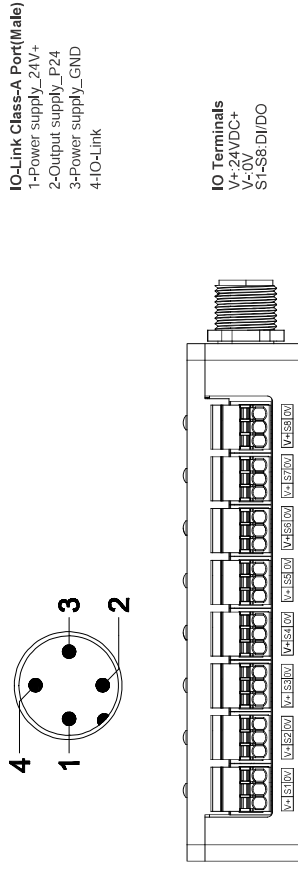


<ul style="list-style-type: none"> IO-Link Version 1.1.3 Transfer rate: COM2 (38.4 kBaud) IO-Link port: Class A Pluggable I/O terminals 4-channel 16 bits resolution analog input/output 	 
IO-Link	
Ordering data	
Product Model	LKHA-04UA-QC LKHA-04UA-TC
Description	4-channel Analog I/O Module , 4-PIN M12 4-channel Analog I/O Module , 4-Pos terminals
Electrical connection	
IO-Link	1xM12 A-CODE 4-PIN, Male 1x4-Pos terminals
Power supply	Included in IO-Link interface 2x 10-Pos terminals
Input/Output	2x 10-Pos terminals
Electrical data	
Operation type	Voltage and current input and output can be configured thermal resistance, thermocouple input
Input	4
Input supply current	200mA per channel
Input type	0...20mA, 4...20mA, 0...10V, thermocouple: J, K, T, N, E type, PT100, PT1000
Input impedance	Current: 250Ω; Voltage: 1MΩ
Input resolution	16 Bits
Conversion time	Current, Voltage: 12 ms; thermocouple: 50ms
Measurement accuracy	±0.3%
Output	4
Output type	Current: 0...20mA, 4...20mA; Voltage: 0...10V;
Output Impedance	Current: <450Ω; Voltage: >1kΩ
Output Resolution	16Bits
Conversion time	12ms
Measurement accuracy	±0.3%
Diagnostics	
Communication status	LED indication, Communication message
Voltage detection	LED indication
Short-circuit & Overload	LED indication
General data	
Protection Class	IP20
Temperature	Operating -25...+70 °C, Storage -40...+85 °C
Dimensions (W*H*D)	91mmx70mmx38mm

Dimension drawing



Interface drawing



IO-Link Class-A Port(Male)
 1-Power supply_24V+
 2-Output supply_P24
 3-Power supply_GND
 4-IO-Link

IO Terminals
 V1-S24VDC+
 S1-S8:DI/DO

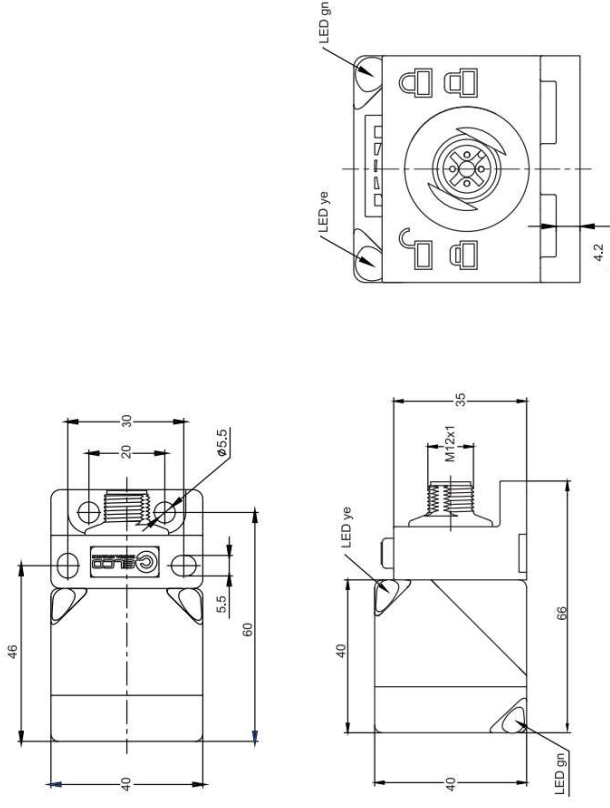


- Mini Shaped IO-Link IP20 Hub
- IO-Link Version 1.1.3
- COM2 (38.4kbps), Class A
- Pluggable I/O terminal blocks

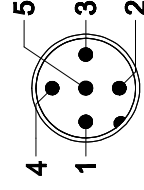
IO-Link

Ordering data	
Product type	LKHA-0800P-QM LKHA-044UP-QM LKHA-0800N-QM LKHA-044UN-QM
Description	8DI PNP, 8DI NPN, 4DI+4DIO, PNP, 8DI NPN, 4DI+4DIO, NPN, 8×3-Pos terminals 8×3-Pos terminals 8×3-Pos terminals 8×3-Pos terminals
Connection	
IO-Link	1×M12 A-CODE 4-PIN, Male
Power supply	Included in IO-Link interface
Input/Output	8×3-Pos Pluggable terminal blocks
Electrical data	
Input	8 Max.8 8 Max.8
Input supply current	Max 200mA per channel Sum 1.6A
Input delay	1.6ms
Output	- Max.4 - Max.4
Output current	- Max 500mA/Channel, Sum 2A - Max 500mA/Channel, Sum 2A
Output type	- Lamps, solenoidvalve, Etc - Lamps, solenoidvalve, Etc
Output frequency	- Resistive 100Hz, Inductive 5Hz - Resistive 100Hz, Inductive 5Hz
Diagnostics	
Communication status	LED indication, Communication message
Voltage detection	LED indication
Short-circuit & Overload	LED indication, Communication message
General data	
Protection Class	IP20
Installation	Fixed by mounting bracket
Temperature	Operating -25...+70 °C, Storage -40...+85 °C
Dimensions (W*H*D)	95mm X 25mm X 22mm

Dimensions



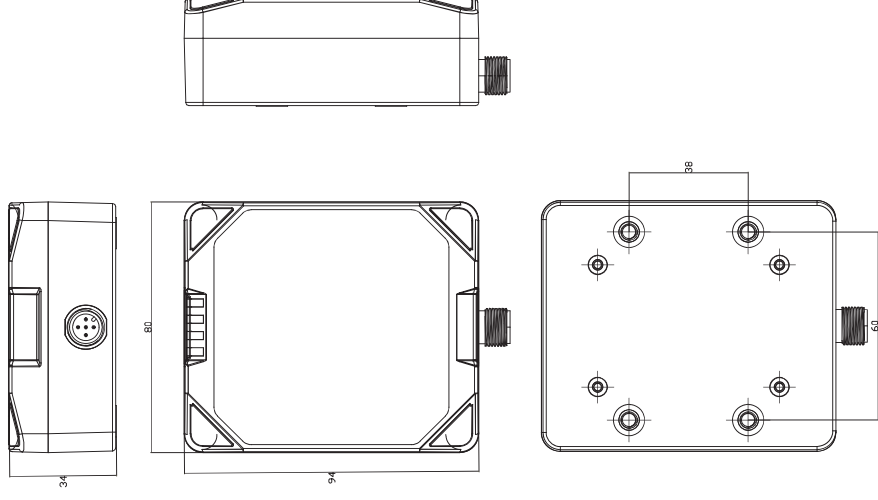
Connection



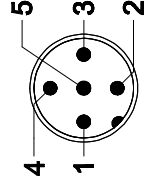
Class - A
 1 - L+
 2 - n.c
 3 - L-
 4 - C/Q

<ul style="list-style-type: none"> ■ IO-LINK Version 1.1.3 ■ Frequency 13.56 MHz ■ Dynamically read and write ■ LEDs as function indicators ■ Degree of protection IP65 	<p>IO-Link</p> <p>Ordering data</p> <p>Product model: RF30-WR-C40H/LK</p> <p>Description: IO-Link high-frequency read/write head</p> <p>Electrical data</p> <p>Rated voltage: 24VDC</p> <p>Operating current: 80mA</p> <p>Power consumption: 52W</p> <p>Electrical connection: Male, M12x1, A-CODE, 4-pin</p> <p>RFID specifications</p> <p>RFID standard: ISO 15693</p> <p>Operating frequency: 13.56MHz</p> <p>Antenna type: Integrated antenna</p> <p>Emitted power: 23dBm</p> <p>Transfer rate: 26kBit/s</p> <p>Read distance: 0-70mm (depends on the tag and environment)</p> <p>Dynamic model: Supported by the IODD file</p> <p>IO-LINK parameter</p> <p>Interface: IO-LINK V1.1.3</p> <p>Data transfer rate: COM3(230.4kbps)</p> <p>Interface type: Class A</p> <p>Min. cycle time: 24ms</p> <p>Vendor ID: 111812</p> <p>Device ID: 16453928</p> <p>Process data: 32 Byte</p> <p>Diagnosis</p> <p>Communication status: LED indicator</p> <p>Power supply: LED indicator</p> <p>Tag detection: LED indicator</p> <p>Physical paramete</p> <p>Operating temperature: -25°C-70°C</p> <p>Storage temperature: -40°C-65°C</p> <p>Operating humidity: 5%-95%</p> <p>Degree of protection: IP65</p> <p>Boundary dimension: 40mmx40mmx66mm</p> <p>Spacing of mounting holes: 20mm</p>
--	---

Dimensions



Connection



Class - A
 1 - L+
 2 - n.c
 3 - L-
 4 - G/Q

- IO-LINK Version 1.1.3
- Frequency 13.56 MHz
- Dynamically read and write
- LEDs as function indicators
- Degree of protection IP65

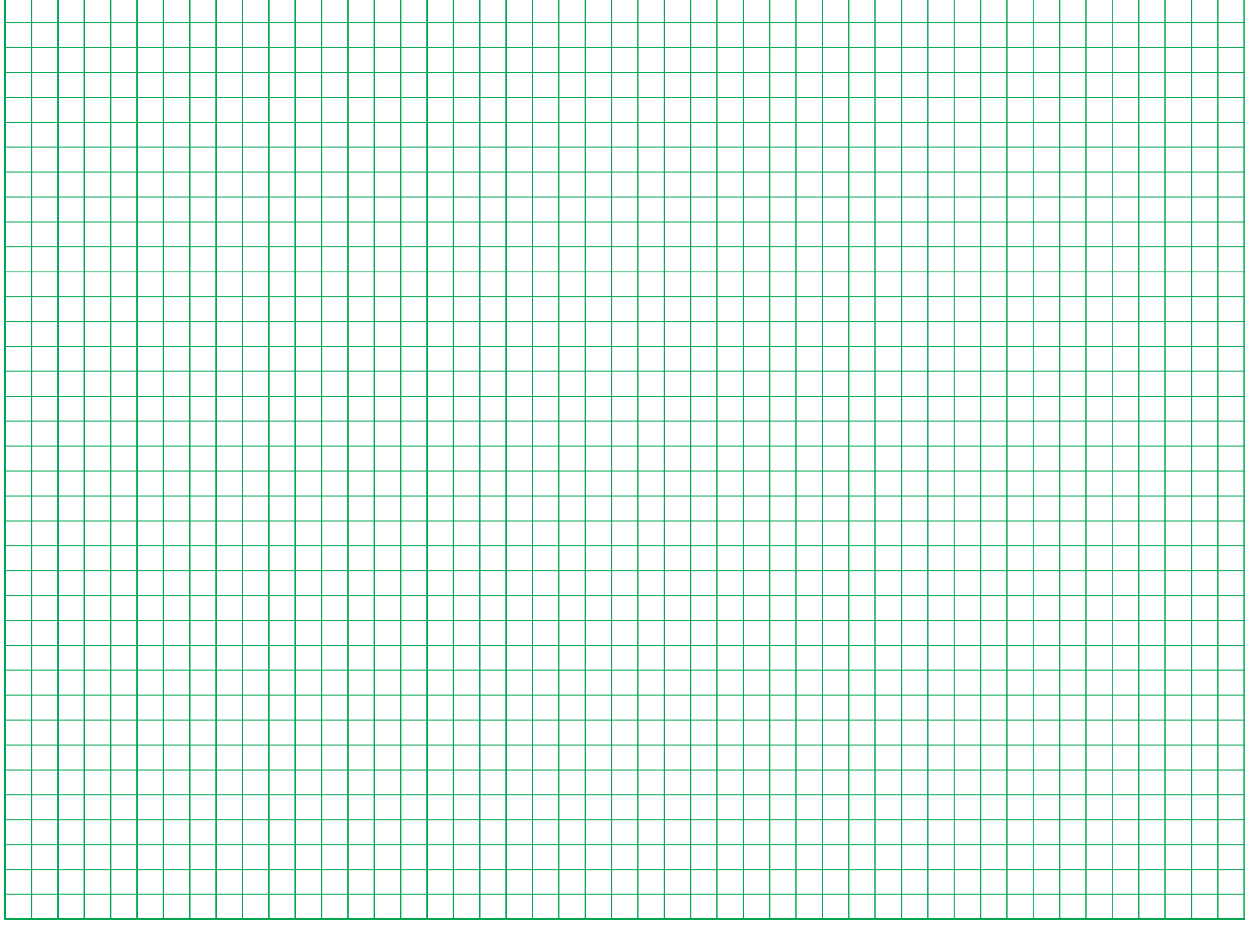


IO-Link

Ordering data	RF30-WR-Q95H/LK
Product model	IO-Link high-frequency read/write head
Description	
Electrical data	
Rated voltage	24VDC
Operating current	80mA
Power consumption	≤2W
Electrical connection	Male.M12x1.A-CODE.4-pin
RFID specifications	
RFID standard	ISO 15693
Operating frequency	13.56MHz
Antenna type	Integrated antenna
Emitted power	23dBm
Transfer rate	26KBit/s
Read distance	0-50mm (depends on the environment)
Dynamic model	Supported by the IODD file
IO-LINK parameter	
Interface	IO-LINK V1.1.3
Data transfer rate	COM3(230.4kbps)
Interface type	Class A
Min. cycle time	24ms
Vendor ID	11181
Device ID	16453927
Process data	32 Byte
Diagnosis	
Communication status	LED indicator
Power supply	LED indicator
Tag detection	LED indicator
Physical paramete	
Operating temperature	-25°C-70°C
Storage temperature	-40°C-85°C
Operating humidity	5%-95%
Degree of protection	IP65
Boundary dimension	94mm×80mm×34mm
Spacing of mounting holes	60mm×38mm

HF RFID Tags

Universal HF tags				
				
Type	RF30-TGH-ER20	RF30-TGH-ER30	RF30-TGH-ER40	RF30-TGH-ER52
Frequency	13.56 MHz	13.56 MHz	13.56 MHz	13.56 MHz
Types of chips	I-CODE2	I-CODE SLIX	I-CODE 2	I-CODE SLIX
Memory capacity	1024 bits	1024 bits	1024 bits	1024 bits
Housing Material	PVC	ABS	ABS	ABS
Installation method	Double sided adhesive bonding	Installation hole fixation	Installation hole fixation	Installation hole fixation
Operating temperature	-30°C to +85°C	-30°C to +85°C	-30°C to +85°C	-30°C to +85°C
Storage temperature	-30°C to +85°C	-30°C to +85°C	-30°C to +85°C	-30°C to +85°C
Protection grade	IP65	IP65	IP65	IP65
Dimensions	20 x 0.84 mm	30 x 2.0mm , Installation aperture 3.5mm	40 x 5.0mm , Installation aperture 5mm	52 x 8.0mm , Installation aperture 5mm
Weight	2.6 g	3 g	4.5 g	5 g
<p>Attention: All Tags are suitable for non-metallic surface installation. If they need to be installed on a metal surface, non-metallic gaskets need to be added, and the thickness of the gasket should be greater than 10mm.</p>				





ELCO Industrie Automation GmbH
Benzstrasse 7
71720 Oberstenfeld
Deutschland
E-Mail: info@elco-automation.de



www.elco-automation.de

Tianjin (ELCO) Automation Co., Ltd.
No. 12, 4th XEDA Branch Road
Xiqing Economic Development Area
Tianjin 300385, P. R. China
E-Mail: info@elco.cn



www.elco-holding.com.cn