

Y Adapter

Description:

Standard M12, M8 threaded connection, female to male interface.
3, 4, 5-core are available. Degree of protection IP67.

Features:

- TPU covering
- A-coded interface



Type Code

Cable jacket	Description	Type	Pin	Rated current/voltage	Cable length
Standard	Universal Y adapter	ECS-CO12.3	4-3/3	4A/60V	—
	Universal Y adapter	ECS-CO12.3/L	4-3/3	4A/30V	—
	Universal Y adapter	ECS-CO12.3/LN	4-3/3	4A/30V	—
	Universal Y adapter	ECS-CO8.3	4-3/3	4A/60V	—
	Universal Y adapter	ECS-CO8.3/L	4-3/3	4A/30V	—
	Universal Y adapter	ECS-CO8.3/LN	4-3/3	4A/30V	—
Special	Special Y adapter	ECS-CO12.5	5-5/5	4A/60V	—
	Special Y adapter	ECS-CO12.5/S5	5-5/5	4A/60V	—
	Special Y adapter	ECS-CO12.5/S1	5-4/4	4A/60V	—
	Special Y adapter	ECS-CO12.5/B24	5-4/4	4A/60V	—
	Special Y adapter	ECS-FC12.5VT	5-4/4	4A/60V	—

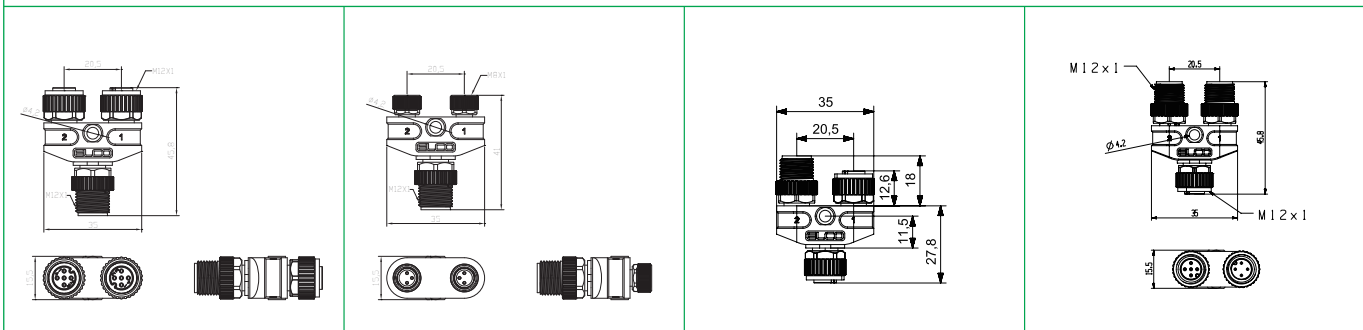
Selection Instructions

ECS-CO12.3

Attn : Standard.

Additional Information

Dimensions



Wiring Diagram

