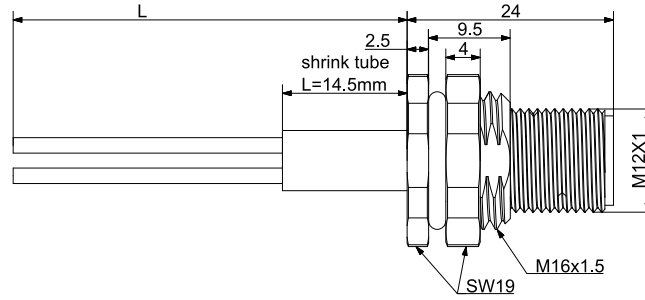
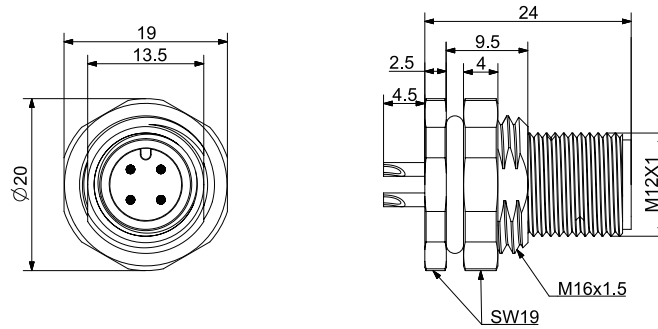


with wires

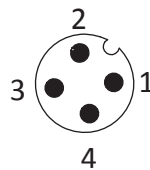


with solder contacts



ARTICLE PROPERTIES

<b>ARTICLE NUMBER</b>	F12.4-X/*/M16
<b>SHAPE TYPE 1</b>	Male, M12
<b>SHAPE TYPE 2</b>	solder contacts/wires
<b>NUMBER OF PINS</b>	4
<b>INTERFACE TYPE</b>	A
<b>INSTALLATION TYPE</b>	rear panel installation



MECHANICAL DATA

<b>LOCKING</b>	nut, M16 (included in delivery)
<b>MATERIAL LOCKING</b>	brass zine nickel plating
<b>TIGHTENING TORQUE LOCKING</b>	0,6 Nm
<b>MATERIAL HOUSING</b>	brass zine nickel plating
<b>SYSTEM</b>	moulded

ELECTRICAL DATA

<b>RATED VOLTAGE</b>	250 V DC
<b>RATED CURRENT</b>	4,0 A
<b>POLLUTION DEGREE</b>	3

ENVIRONMENTAL CONDITIONS

<b>PROTECTION CLASS</b>	IP67 inserted and tightened
<b>AMBIENT TEMPERATURE</b>	-25 ... 90 °C

APPROVALS



GENERAL WIRE PROPERTIES

<b>WIRE CONSTRUCTION</b>	according to UL-AWM Style 20549
<b>THERMAL RESISTANCE</b>	according to UL FT2
<b>PROTECTION CLASS</b>	according to IEC 60529 or ISO 20653, only when screwed together with the corresponding counterpart

WIRE LENGTHS X

- X = 0** connection type: solder contacts
- X = 0.2** connection type: wires with length 0.2 m

All wire lengths are available on request.

**EXAMPLE:**

wire lengths 0.2 m -> F12.4-0.2/\*/M16  
 wire lengths 1 m -> F12.4-1/\*/M16

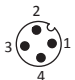
TOLERANCE WIRE LENGTHS

0 m < X ≤ 1,0 m	+0,05 m
1,0 m < X ≤ 5,0 m	+0,1 m
5,0 m < X	+0,15 m

CONNECTION VARIANTS AND ASSIGNMENT OF WIRE INSULATION COLOR

Article number wire /*	color jacket	wire insulation	wire cross-section	wire-∅	temperature range	Pin variant
	brown, white, blue, black	PVC	4 x 0.34 mm <sup>2</sup> *	1.6 mm	-20 °C ... 80 °C	1
<b>/PP</b>	brown, white, blue, black	PP	4 x 0.34 mm <sup>2</sup> *	1.5 mm	-20 °C ... 80 °C	1

\* similar to AWG 22

	Pin variant	Pin 1	Pin 2	Pin 3	Pin 4
	1	brown	white	blue	black