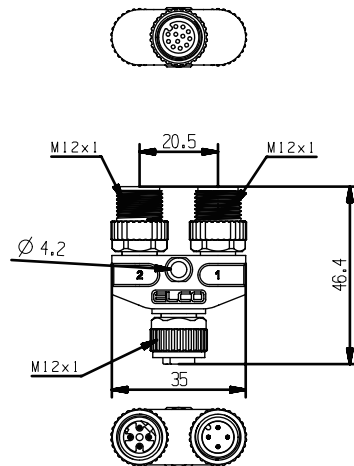


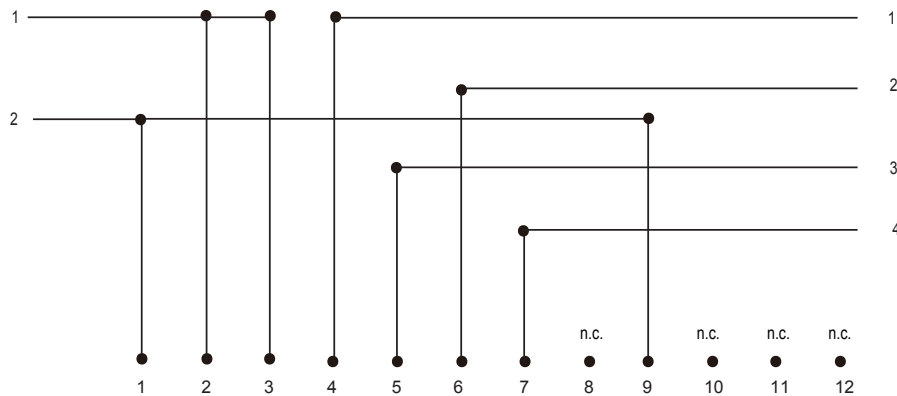
### Type Code:

Description	Y-splitter
Type	ECS-FCO12.12/CGSF4
Pin	12-4/2
Rated Current/Voltage	1.5A/30VDC
Shape/Type	1 Female to 2 Male
Interface Type	2*A-coding,D-coding
Protection	IP67



M12-4-pin  
Male A-code

M12-4-pin  
Male D-code



M12-12-pin Female A-code