

Field-attachable I/O Connector-M12 (Angled-female)

Description:

Used for sensors and I/O connecting. Standard threaded connection. Designed with the female port. 4, 5, 8-core are available. PG7(4-6mm) and PG9(6-8mm) output interface are optional. Degree of protection IP67.

Features:

- Flexible screw joints and pin contact.
- Optional transparent housing.



Type Code					
Housing material	Description	Type	Pin	Rated current/voltage	Cable ϕ
PA	4-core female	LSBO12.4-0/C(BU)	4	4A/250V	4-6mm
	5-core female	LSBO12.5-0/C(BU)	5	4A/60V	4-6mm
	4-core female	LSBO12.4-9/C(BU)	4	4A/250V	6-8mm
	5-core female	LSBO12.5-9/C(BU)	5	4A/60V	6-8mm
	8-core female	LSBO12.8-0/C(BU)	8	2A/30V	4-6mm
	8-core female	LSBO12.8-9/C(BU)	8	2A/30V	6-8mm

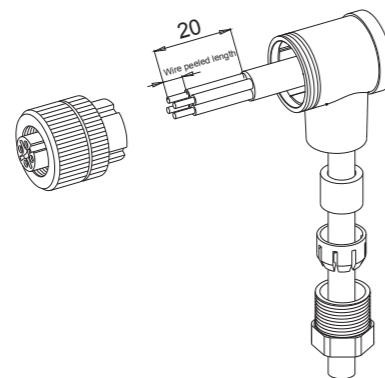
Selection Instructions

LSBO12.4 - 0/C(BU)

Attn: Standard

Additional information

- Cross section of core, max.0.75mm².
- If it connect to distribution box or IP67 module, please note the right match with the internal slot to avoid affecting the overall wiring.
- The cable jacket peeled length is 20mm, and the wire peeled length is 5mm during mounting process.



Field-attachable I/O Connector-M12 (Angled-male)

Description:

Used for sensors and I/O connecting. Standard threaded connection. Designed with the male port. 4, 5, 8-core are available. PG7(4-6mm) and PG9(6-8mm) output interface are optional. Degree of protection IP67.

Features:

- Flexible screw joints and pin contact.
- Optional transparent housing.



Type Code					
Housing material	Description	Type	Pin	Rated current/voltage	Cable ϕ
PA	4-core male	LSB12.4-0/C(BU)	4	4A/250V	4-6mm
	5-core male	LSB12.5-0/C(BU)	5	4A/60V	4-6mm
	4-core male	LSB12.4-9/C(BU)	4	4A/250V	6-8mm
	5-core male	LSB12.5-9/C(BU)	5	4A/60V	6-8mm
	8-core male	LSB12.8-0/C(BU)	8	2A/30V	4-6mm
	8-core male	LSB12.8-9/C(BU)	8	2A/30V	6-8mm

Selection Instructions

LSB12.4 - 0/C(BU)

Attn: Standard

Additional information

- Cross section of core, max.0.75mm².
- If it connect to distribution box or IP67 module, please note the right match with the internal slot to avoid affecting the overall wiring.
- The cable jacket peeled length is 20mm, and the wire peeled length is 5mm during mounting process.

