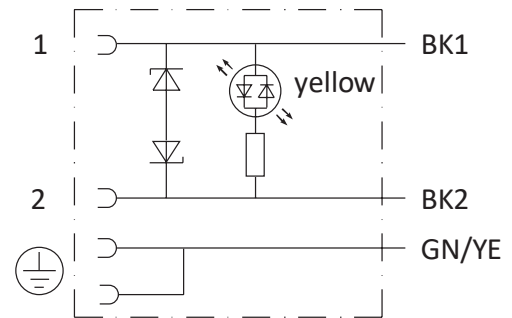


ARTICLE PROPERTIES

<b>ARTICLE NUMBER</b>	VA21-024-xM-LV/*/T2314
<b>SHAPE TYPE 1</b>	Valve plug A-18mm with cable
<b>SHAPE TYPE 2</b>	Single-ended
<b>NUMBER OF PINS</b>	3
<b>INTERFACE TYPE</b>	Form A(18 mm)
<b>LED</b>	Yellow
<b>SUPPRESSION</b>	Z-diode



MECHANICAL DATA

<b>FASTENING SCREW</b>	M3x32mm
<b>NUMBER OF POLES</b>	2+PE
<b>PROTECTION DEGREE ADDITIONAL CONDITION</b>	Screwed

ELECTRICAL DATA

<b>OPERATING VOLTAGE</b>	24 V DC
<b>Current operating per contact max.</b>	4,0 A
<b>RATED SURGE VOLTAGE</b>	4 KV
<b>POLLUTION DEGREE</b>	3

ENVIRONMENTAL CONDITIONS

<b>PROTECTION CLASS</b>	IP67 inserted and tightened
<b>AMBIENT TEMPERATURE</b>	-30 ... 80 °C

APPROVALS



GENERAL CABLE PROPERTIES

**CABLE CONSTRUCTION(ONLY FOR PUR PRODUCT)** according to UL-AWM Style 20549

**THERMAL RESISTANCE(ONLY FOR PUR PRODUCT)** according to UL FT2

**PROTECTION CLASS** according to IEC 60529 or ISO 20653, only when screwed together with the corresponding counterpart

CABLE LENGHTS X

All cable lengths are available on request. **EXAMPLE:**  
 cablelengths 0,5m->VA21-024-0.5M-LV/\* /T2314  
 cablelengths 10 m->VA21-024-10M-LV/\* /T2314

TOLERANCE CABLE LENGTHS

0 m < X ≤ 10 m +0,05 m  
 1,0 m < X ≤ 5,0 m +0,1m  
 5,0m < X +0,15 m

CABLE VARIANTS AND ASSIGNMENT OF WIREINSULATION COLOR

Article number cable /*	material jacket	color jacket	wire insulation	wire cross-section	cable-jacket-Ø	temperature range	bending cycles
/P00	PVC	black	PP	3 x 0.5 mm <sup>2</sup> *	5.0±0.2 mm	-40 °C ... 80 °C	no
/P13	PUR	black	PP	3 x 0.5 mm <sup>2</sup> *	5.0±0.2 mm	-40 °C ... 80 °C	max. 5 Mio.

\*similar to AWG 20