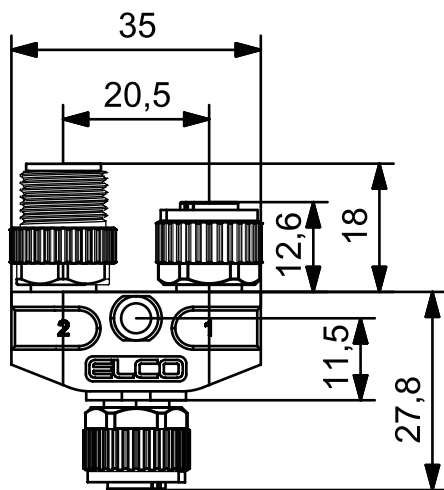




Type Code:

Description	5-5/5
Type	ECS-CO12.5/S7
Pin	5-5/5
Rated Current/Voltage	4A/60VAC
Shape/Type	1 Female to 1Male+1Female
Interface Type	A-coding
Protection	IP67



Circuit diagram

