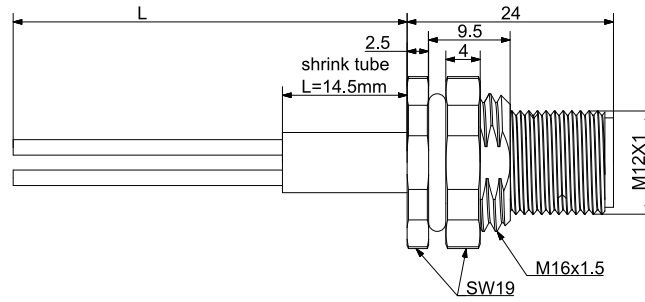
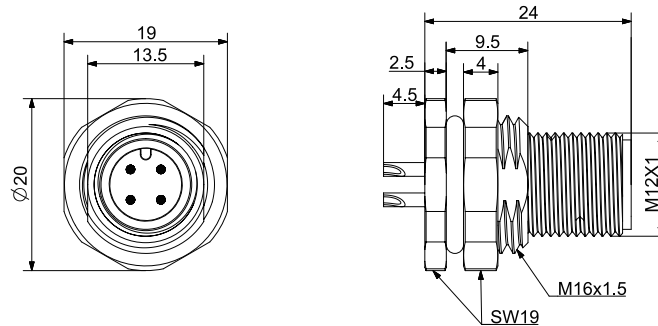


with wires

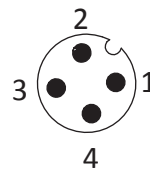


with solder contacts



ARTICLE PROPERTIES

ARTICLE NUMBER	F12.3-X/*/M16
SHAPE TYPE 1	Male, M12
SHAPE TYPE 2	solder contacts/wires
NUMBER OF PINS	3
INTERFACE TYPE	A
INSTALLATION TYPE	rear panel installation



MECHANICAL DATA

LOCKING	nut, M16 (included in delivery)
MATERIAL LOCKING	brass zine nickel plating
TIGHTENING TORQUE LOCKING	0,6 Nm
MATERIAL HOUSING	brass zine nickel plating
SYSTEM	moulded

ELECTRICAL DATA

RATED VOLTAGE	250 V DC
RATED CURRENT	4,0 A
POLLUTION DEGREE	3

ENVIRONMENTAL CONDITIONS

PROTECTION CLASS	IP67 inserted and tightened
AMBIENT TEMPERATURE	-25 ... 90 °C

APPROVALS



GENERAL WIRE PROPERTIES

WIRE CONSTRUCTION	according to UL-AWM Style 20549
THERMAL RESISTANCE	according to UL FT2
PROTECTION CLASS	according to IEC 60529 or ISO 20653, only when screwed together with the corresponding counterpart

WIRE LENGTHS X

- X = 0** connection type: solder contacts
- X = 0.2** connection type: wires with length 0.2 m

All wire lengths are available on request.

EXAMPLE:

wire lengths 0.2 m -> F12.3-0.2/*/M16
 wire lengths 1 m -> F12.3-1/*/M16

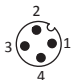
TOLERANCE WIRE LENGTHS

0 m < X ≤ 1,0 m	+0,05 m
1,0 m < X ≤ 5,0 m	+0,1 m
5,0 m < X	+0,15 m

CONNECTION VARIANTS AND ASSIGNMENT OF WIRE INSULATION COLOR

Article number wire /*	color jacket	wire insulation	wire cross-section	wire-Ø	temperature range	Pin variant
	brown, blue, black	PVC	3 x 0.34 mm ² *	1.6 mm	-20 °C ... 80 °C	1
/PP	brown, blue, black	PP	3 x 0.34 mm ² *	1.5 mm	-20 °C ... 80 °C	1

* similar to AWG 22

	Pin variant	Pin 1	Pin 2	Pin 3	Pin 4
	1	brown	None	blue	black