

Plastic distribution box ESP4 series (M12 socket, Terminal field-wired)

Description:

Plastic housing, split design, 4 channels, single signal or dual signal, indicator for action display, IP67.

Features:

- LED indicator PNP, NPN optional
- Single signal and dual signal provided
- Terminal type wiring to meet the flexible configuration of different cable outlet lengths
- Optional bridging mode to achieve district power supply (Power 1, 3 ports and 2, 4 ports respectively)



| Type List | ESP4-12-2P-Q | ESP4-12-2N-Q | ESP4-12-3P-Q | ESP4-12-3N-Q | ESP4-12-4P-Q | ESP4-12-4N-Q |
|----------------------------------|--|--------------|------------------------|--------------|------------------------|--------------|
| Technical Data | | | | | | |
| Output Function | 1 signal | | 2 signals | | | |
| Output Type | PNP | NPN | PNP | NPN | PNP | NPN |
| Connection for Sensors/Actuators | 4-pin M12 female | | 5-pin M12 female | | | |
| Locking Sockets | Threaded M12x1 | | | | | |
| Dimensions | Fig. 1, Fig. 2, Fig. 5 | | Fig. 1, Fig. 2, Fig. 6 | | Fig. 1, Fig. 2, Fig. 7 | |
| Pin Assignment | Fig. 3 | | Fig. 4 | | | |
| Wiring Diagram | Fig. 8 | Fig. 9 | Fig. 8 | Fig. 9 | Fig. 8 | Fig. 9 |
| Supply Voltage | 10...30VDC (24VDC) | | | | | |
| Supply Voltage Indicator | LED green | | | | | |
| I/O Channels | 4 | | | | | |
| Signals per Port | 1 or 2 | | | | | |
| Status Indicators | LED yellow | | | | | |
| Operating Current | Max. 2A / per contact / 4A/channel | | | | | |
| | 8A | | | 16A | | |
| Housing Material | Plastic | | | | | |
| Protection Class | IP67 | | | | | |
| Temperature Range | -40...+80 C | | | | | |
| Resistance | Good resistance against chemicals and oils. The resistance to aggressive media should be individually verified for your application. | | | | | |

Dimensions

Fig. 1

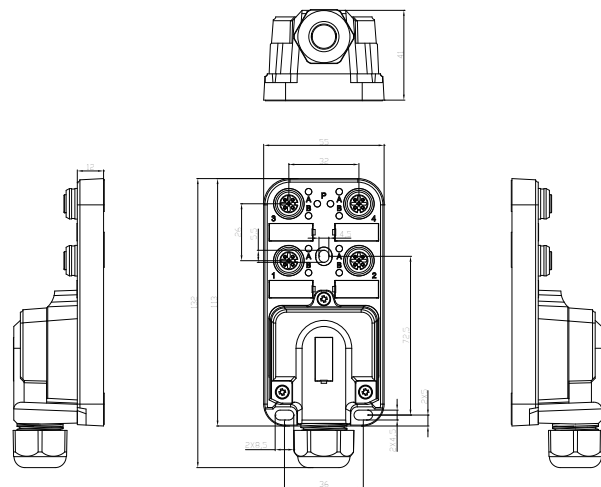
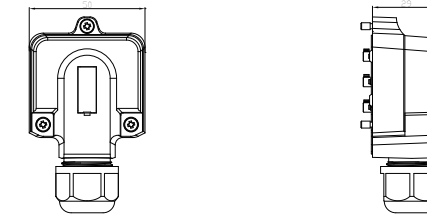


Fig. 2



Pin Assignment

Fig. 3

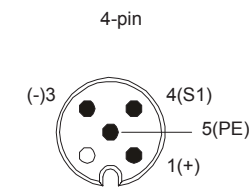


Fig. 4

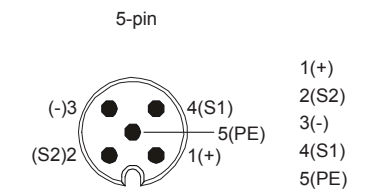


Fig. 5
2P

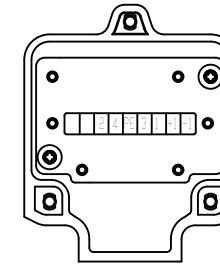


Fig. 6
3P

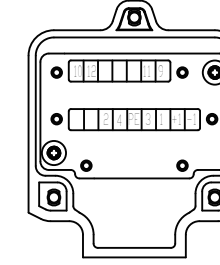
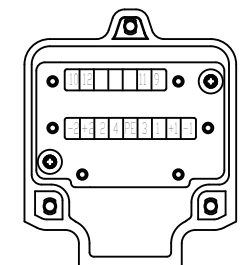


Fig. 7
4P



Wiring Diagram

Fig. 8
Connector

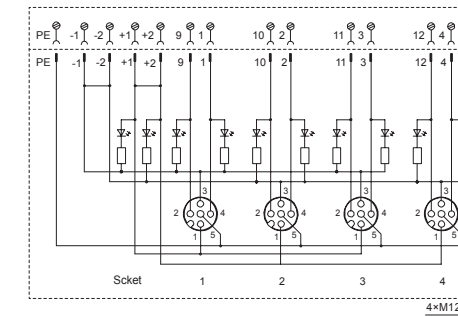


Fig. 9
Cable

